



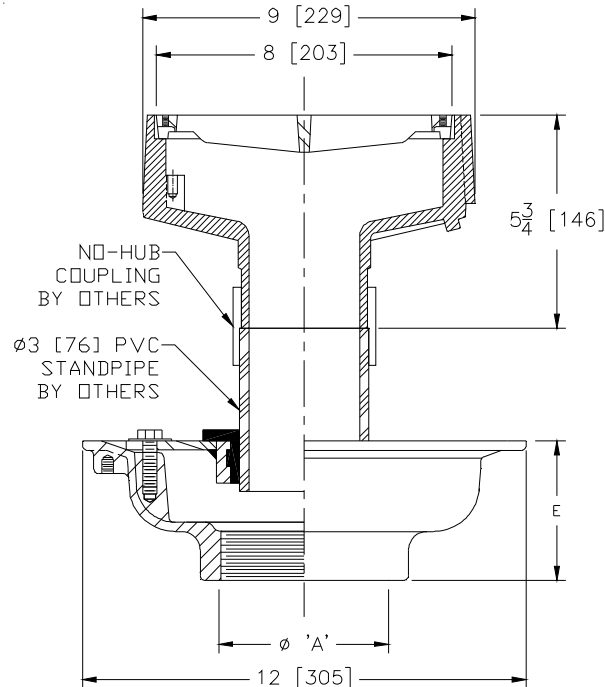
Z121-130

9 [229] DIAMETER MEDIUM DUTY DRAIN WITH LOWER ISOLATION DECK DRAIN BODY

SPECIFICATION SHEET

TAG _____

Dimensional Data (inches and [mm]) are Subject to Manufacturing Tolerances and Change Without Notice



| A - Pipe Size Inches [mm] | Approx. Wt. Lbs. [kg] | Grate Open Area Sq. In. [cm ²] |
|------------------------------|--------------------------|---|
| 2,3,4,6 [51,76,102,152] | 35 [16] | 18 [116] |

ENGINEERING SPECIFICATION: ZURN Z121-130
 9" [229mm] Diameter top drain, Dura-Coated cast iron upper body with medium-duty slotted grate, Dura-Coated cast iron lower body with membrane flashing clamp and neoprene flex gasket.

OPTIONS (Check/specify appropriate options)

PIPE SIZE

- 2, 3, 4, 6 [51, 76, 102, 152]
- 2, 3, 4, 6 [51, 76, 102, 152]
- 2, 3, 4, 6 [51, 76, 102, 152]
- 2, 3, 4 [51, 76, 102]

(Specify size/type) **OUTLET**

- _____ IC Inside Caulk
- _____ IP Threaded
- _____ NH No-Hub
- _____ NL Neo-Loc

'E' BODY HT. DIM.

- 5-1/4 [133]
- 3-3/4 [95]
- 5-1/4 [133]
- 4-5/8 [117]

PREFIXES

- ___ Z D.C.C.I. Body and Top*
- ___ ZN D.C.C.I. Body with Polished Nickel Bronze Top (Add 3/16 [5] to 'E' Dim. & 3/4 [20] to 9 [229] Dim.)

SUFFIXES

- ___ -C Underdeck Clamp (Lower Body Only)
- ___ -D Dome Grate (Upper Body Only)
- ___ -DB Deep Sump Body (IC Only) (Lower Body Only)
- ___ -DG Duresist Grate (Upper Body Only)
- ___ -DP Top-Set Roof Deck Plate (Replaces both the -C and -R) (Lower Body Only)
- ___ -G Galvanized Cast Iron (Both)
- ___ -SS Stainless Mesh Liner for Bucket (Upper Body Only)
- ___ -TC Neo-Loc Test Cap Gasket (2,3,4 [51,76,102] NL Bottom Outlet Only) (Lower Body Only)
- ___ -TG Tractor Grate (Upper Body Only)
- ___ -TS Top Secured with Slotted Screws (Upper Body Only)
- ___ -VP Vandal-Proof Secured Top (Upper Body Only)
- ___ -XJ Vertical Expansion Joint (See Z190) (Lower Body Only)
- ___ -Y Sediment Bucket (Upper Body Only)
- ___ -90 90° Threaded Side Outlet Body (2,3,4 [51,76,102]) (Previously Z124) (Lower Body Only)

* Regularly furnished unless otherwise specified.