



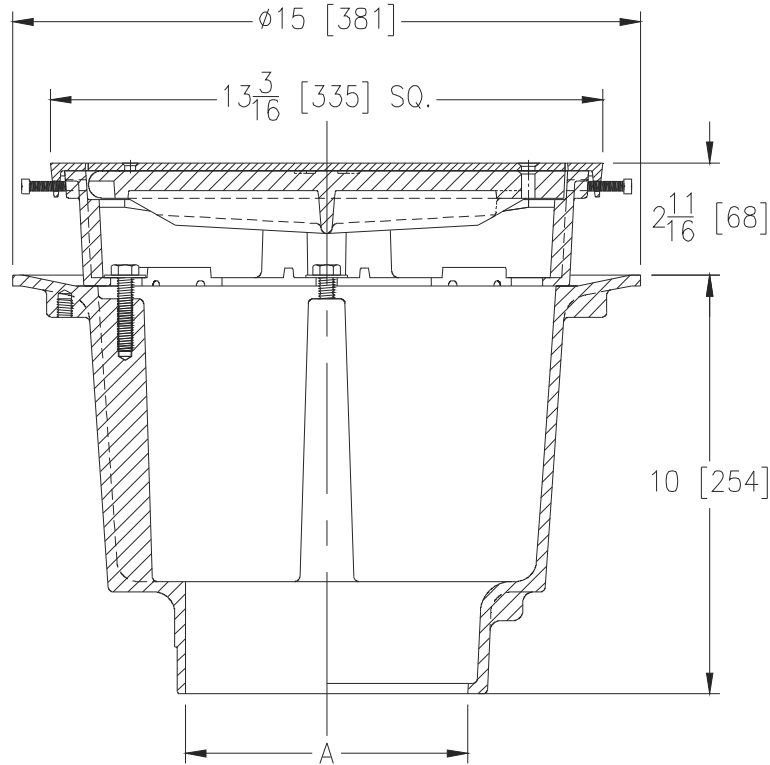
Z610-121

12[305] SQUARE TOP DRAIN W/ DEEP SUMP BODY
AND VANDAL PROOF, POLISHED NICKEL BRONZE
VENEERED SOLID COVER

SPECIFICATION SHEET

TAG _____

Dimensional Data (inches and [mm]) are Subject to Manufacturing Tolerances and Change Without Notice



A Pipe Size In.	Approx. Wt. Lbs. [kg]
3, 4 [76, 102]	75[34]
6, 8 [152, 203]	

ENGINEERING SPECIFICATION: ZURN ZN610-121

12[305] Square top drain, Dura-Coated cast iron deep sump body with bottom outlet, seepage pan and combination membrane flashing clamp, and frame with vandal proof polished nickel bronze veneered solid cover.

OPTIONS (Check/specify appropriate options)

PIPE SIZE

- 3, 4, 6 [76, 102, 152]
- 3, 4, 6, 8 [76, 102, 152, 203]
- 3, 4 [76, 102]

(Specify size/type) **OUTLET**

- ___ IC Inside Caulk
- ___ NH No-Hub
- ___ NL Neo-Loc

'E' BODY HT. DIM.

- 10 [254]
- 10 [254]
- 9-5/16 [237]

PREFIXES

- ___ **ZN** D.C.C.I. Body with Polished Nickel Bronze Top*

SUFFIXES

- ___ **-DG** Duresist Grate
- ___ **-DX** Dex-o-tex flange
- ___ **-G** Galvanized Cast Iron
- ___ **-H** Hinged Grate
- ___ **-HL** Hinged Locking Grate
- ___ **-SS** Stainless Mesh Liner for Bucket
- ___ **-Y** Sediment Bucket
- ___ **-YA** Aluminum Sediment Bucket

REV.	DATE: 04/04/13	C.N. NO. 129087
PROD./DWG. NO. Z610-121		

*REGULARLY FURNISHED UNLESS OTHERWISE SPECIFIED