



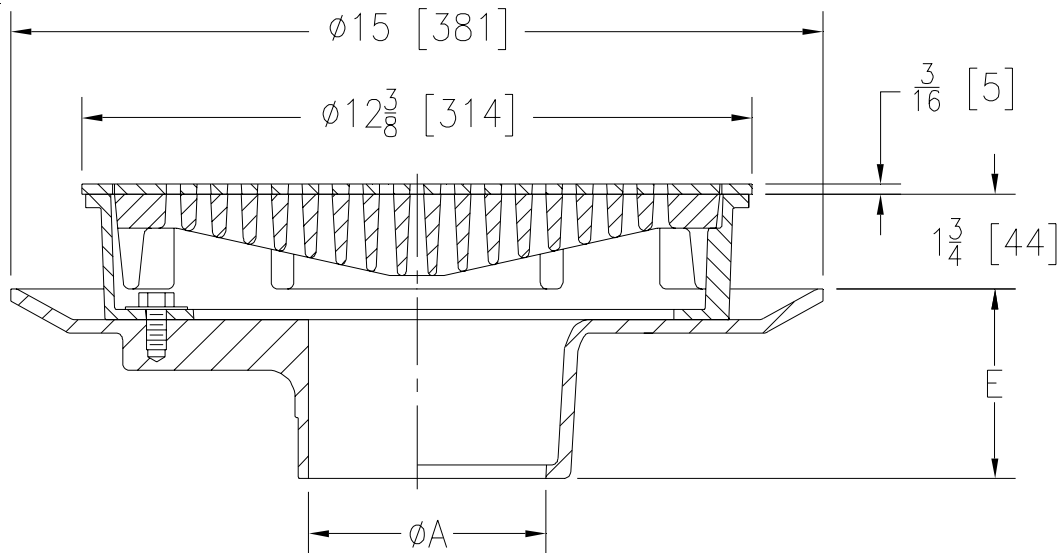
# ZN509-HP

## 12 3/8 [314] DIAMETER TOP HEAVY-DUTY DRAIN W/ HEEL-PROOF GRATE

SPECIFICATION SHEET

TAG \_\_\_\_\_

Dimensional Data (inches and [ mm ]) are Subject to Manufacturing Tolerances and Change Without Notice



A Pipe Size In.	Approx. Wt. Lbs. [kg]	Grate Open Area Sq. In. [cm <sup>2</sup> ]
3-4-6 [76-102-152]	38 [17]	28 [181]

**ENGINEERING SPECIFICATION: ZURN ZN509-HP**

12 3/8 [314] Diameter top drain. Dura-Coated cast iron body with bottom outlet, seepage pan, combination membrane flashing clamp with nickel bronze frame and heavy-duty heel-proof tractor grate.

**OPTIONS** (Check/specify appropriate options)

**PIPE SIZE**

- 3-4-6 [76-102-152]
- 3-4-6 [76-102-152]
- 3-4-6 [76-102-152]
- 3-4-6 [76-102-152]
- 3-4 [76-102]

(Specify size/type) **OUTLET**

- \_\_\_ IC Inside Caulk
- \_\_\_ IG Inside Caulk w/Sealtrol Gskt.
- \_\_\_ IP Threaded
- \_\_\_ NH No-Hub
- \_\_\_ NL Neo-Loc

**'E' BODY HT. DIM.**

- 3 1/2 [89]
- 3 1/2 [89]
- 3 1/2 [89]
- 3 1/2 [89]
- 2 5/8 [67]

**PREFIXES**

- \_\_\_ ZB D.C.C.I. Body with Polished Bronze Top
- \_\_\_ ZN D.C.C.I. Body with Polished Nickel Bronze Top \*

**SUFFIXES**

- |  |  |
|--|--|
| <ul style="list-style-type: none"> <li>___ -AR Acid Resisting Epoxy Coated Cast Iron</li> <li>___ -D Dome Grate</li> <li>___ -DG Duresist Grate</li> <li>___ -DX Dex-o-Tex Flange</li> <li>___ -G Galvanized Cast Iron</li> <li>___ -P Trap Primer Connection</li> <li>___ -S Secondary Strainer</li> <li>___ -T Square Top</li> <li>___ -TC Neo-Loc Test Cap Gasket<br/>(3 [76]-4 [102] NL Bottom Outlet Only)</li> </ul> | <ul style="list-style-type: none"> <li>___ -TS Top Secured with Slotted Screws</li> <li>___ -V Backwater Valve (See Z1099)</li> <li>___ -VP Vandal-Proof Secured Top</li> <li>___ -Y Sediment Bucket</li> <li>___ -90 90° Threaded Side Outlet Body</li> </ul> |
|--|--|

\*REGULARLY FURNISHED UNLESS OTHERWISE SPECIFIED

<b>REV.</b>	<b>DATE: 06/23/06</b>	<b>C.N. NO. 95250</b>
<b>DWG. NO. 82775</b>	<b>PRODUCT NO. ZN509-HP</b>	

ZURN INDUSTRIES, INC. ♦ SPECIFICATION DRAINAGE OPERATION ♦ 1801 Pittsburgh Ave. ♦ Erie, PA 16514

Phone: 814/455-0921 ♦ Fax: 814/454-7929 ♦ World Wide Web: www.zurn.com

In Canada: ZURN INDUSTRIES LIMITED ♦ 3544 Nashua Drive ♦ Mississauga, Ontario L4V1L2 ♦ Phone: 905/405-8272 Fax: 905/405-1292