



Z415-S-SQ

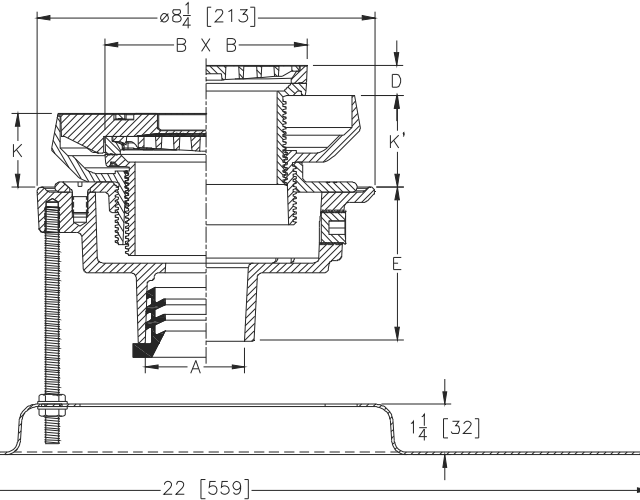
BODY ASSEMBLY WITH "TYPE S" STRAINER AND EZ1™ TECHNOLOGY WITH Q-DECK STABILIZER ASSEMBLY

SPECIFICATION SHEET

TAG _____



Dimensional Data (inches and [mm]) are Subject to Manufacturing Tolerances and Change Without Notice



Note:
Minimum K Dimension is Only Possible with -LR Option

Dimensions In Inches [mm]								Approx. Wt. Lbs. [kg]	Strainer Open Area Sq. In [cm ²]
A Pipe Size	B X B Strainer Top Size	D		K		K'			
		Min.	Max.	Min.	Max.	Min.	Max.		
2,3 [51,76]	5 X 5 [127 X 127]	0	1-1/4 [32]	1-25/32 [45]	2-7/8 [73]	2-9/32 [58]	3-11/32 [85]	19 [9]	9 [58]
2,3,4 [51,76,102]	6 X 6 [152 X 152]	0	1-1/4 [32]	1-27/32 [47]	2-29/32 [74]	2-11/32 [60]	3-1/2 [89]	22 [10]	13 [84]
3,4 [76,102]	8 X 8 [203 X 203]	0	1-3/16 [30]	2-1/4 [57]	3-11/32 [85]	2-3/4 [70]	3-13/16 [97]	27 [12]	27 [174]
6 [152]	8 X 8 [203 X 203]	0	1-3/16 [30]	2-1/4 [57]	3-11/32 [85]	2-3/4 [70]	3-13/16 [97]	28 [13]	27 [174]

ENGINEERING SPECIFICATION: ZURN Z415-S-SQ

Floor and shower drain, Dura-coated cast iron body with bottom outlet, combination invertible membrane clamp and adjustable collar with seepage slots and top assembly. EZ1™ drainage series is engineered to simplify product installation, comprised of concrete shield, up to 1-1/4" [32mm] of vertical post pour adjustment, pre-packaged shims for tilt correction and integrated self-contained "Type S" nickel bronze light duty strainer with rough-in cover for protection during concrete pour. Complete with Q-Deck stabilizer assembly.

OPTIONS (Check/specify appropriate options)

PIPE SIZE

- 2,3,4 [51,76,102]
- 2,3,4 [51,76,102]
- 2 [51]
- 3 [76]
- 4 [102]
- 6 [152]
- 2,3,4 [51,76,102]
- 2,3,4 [51,76,102]

(Specify size/type) OUTLET

- ___ IC Inside Caulk
- ___ IG Inside Gasket
- ___ IP Threaded
- ___ IP Threaded
- ___ IP Threaded
- ___ IP Threaded
- ___ NH No-Hub
- ___ NL Neo-Loc

'E' BODY HT. DIM.

- 4-13/16 [122]
- 4-13/16 [122]
- 2-7/16 [62]
- 2-3/4 [70]
- 2-13/16 [71]
- 2-7/8 [73]
- 3-13/16 [97]
- 3-7/8 [98]

PREFIXES

- ___ ZB D.C.C.I. Body Assembly w/ Polished Bronze Top
- ___ ZN D.C.C.I. Body Assembly w/ Polished Nickel Bronze Top*
- ___ ZS D.C.C.I. Body Assembly w/ Polished Stainless Steel Top

SUFFIXES

- ___ -AR Acid Resisting Epoxy Coated Cast Iron
- ___ -EF 3/4 [19] Extension Frame
- ___ -G Galvanized Cast Iron
- ___ -LR Low Rough-In
- ___ -P Trap Primer Connection (Specify 1/2 *[13] or 3/4 [19])
- ___ -TC Neo-Loc Test Cap Gasket (2,3,4 [51,76,102] NL Outlet Only)
- ___ -TSP Trap Seal Protection Device (Size Matches Drain Outlet Selected) (See Z1072)
- ___ -U 2 to 3-1/4 [51 to 83] High Extension Adapter
- ___ -VP Vandal-Proof Secured Top
- ___ -Y Sediment Bucket

* Regularly furnished unless otherwise specified.

Zurn Industries, LLC | Specification Drainage Operation

1801 Pittsburgh Avenue, Erie, PA U.S.A. 16502 · Ph. 855-663-9876, Fax 814-454-7929

In Canada | Zurn Industries Limited

3544 Nashua Drive, Mississauga, Ontario L4V 1L2 · Ph. 905-405-8272, Fax 905-405-1292

www.zurn.com

Rev. -
Date: 5/8/2018
C.N. No. 140005
Prod. | Dwg. No. Z415-SZ1-SQ