



Z100F-C

FLOFORCE™ HIGH PERFORMANCE ROOF DRAIN

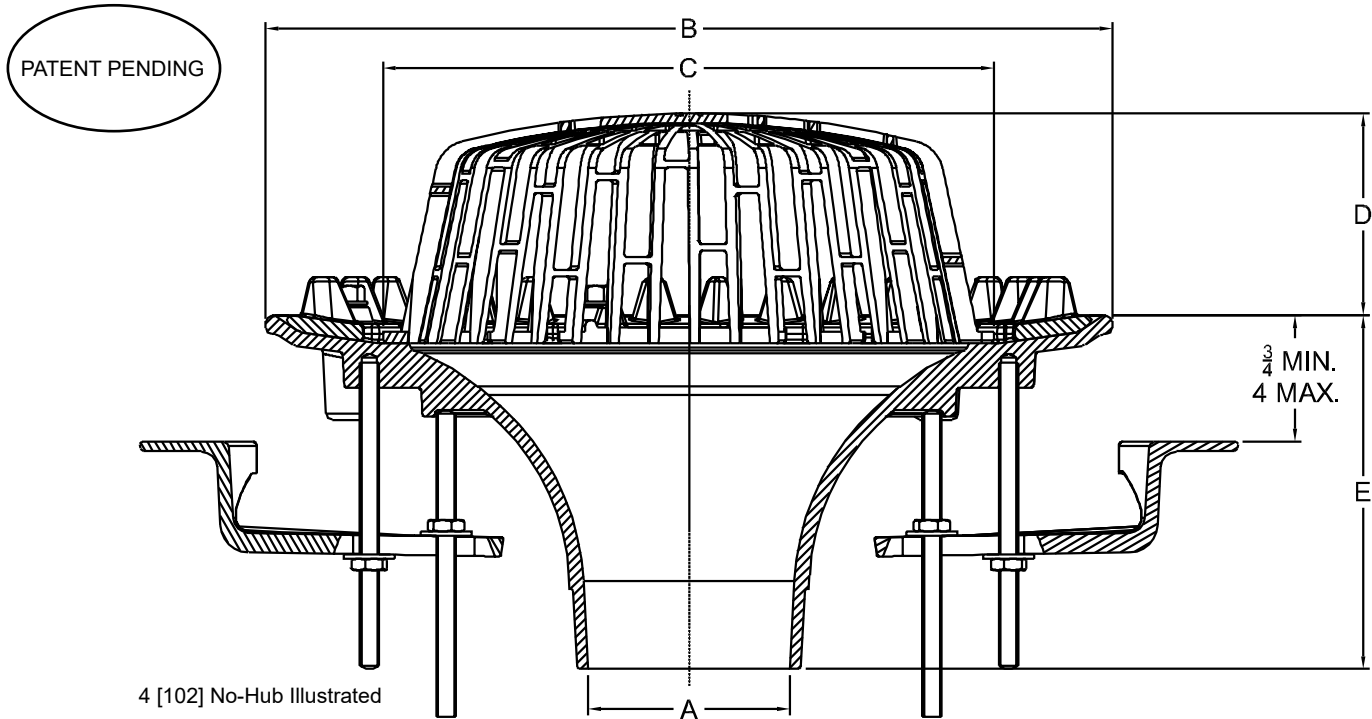
WITH UNDERDECK CLAMP

DESIGNED TO DRIVE EFFICIENT FLOW PERFORMANCE

SPECIFICATION SHEET

TAG _____

Design and Dimensional Data (inches and [mm]) are Subject to Manufacturing Tolerances and Change Without Notice



A Outlet Size In. [mm]	B Body Diameter In [mm]	C Dome Diameter In [mm]	D Height, Roof to Dome Top In [mm]	Weight lbs [kg]	Dome Open Area Sq. In. [cm2]
2,3,4 [51,76,102]	16-9/16 [421]	12-5/16 [313]	4 [102]	36 [16]	121 [780]

ENGINEERING SPECIFICATION: ZURN Z100F-C

FLOFORCE™ High efficient flow performing roof drain engineered to evacuate water off of roof structure by incorporating a smooth funnel-shaped interior surface, providing a seamless transition to outlet connection and eliminating internal obstructions. Complete with Dura-Coated cast iron body with combination membrane flashing clamp/gravel guard, underdeck clamp and low silhouette Poly-Dome. Flashing clamp/gravel guard provided to prevent debris from entering the drain while allowing water to immediately pass through at zero head level. Poly-dome designed to maximize effective open area and promote efficient flow. (Refer to Z100F specification sheet for flow curves.)

OPTIONS (Check/specify appropriate options)

PIPE SIZE

- 2, 3, 4 [51, 76, 102]
- 2, 3, 4 [51, 76, 102]
- 2, 3, 4 [51, 76, 102]
- 3, 4 [76, 102]

(Specify size/type) **OUTLET**

- _____ NH No-Hub
- _____ NL Neo-Loc
- _____ IP Threaded
- _____ IC Inside Caulk

E BODY HT. DIM.

- 6-15/16 [176]
- 7-3/8 [187]
- 5-15/16, 6-3/16, 6-5/16 [151, 157, 160]
- 5-13/16 [148]

PREFIXES

- _____ Z D.C.C.I. Body with Poly-Dome*
- _____ ZA D.C.C.I. Body with Aluminum Dome
- _____ ZC D.C.C.I. Body with Cast Iron Dome

SUFFIXES

- _____ -AR Acid Resistant Epoxy Coated
- _____ -E Static Extension 1 [25] thru 4 [102] (Specify Ht.)
- _____ -EA Adjustable Extension Assembly 2-1/8 [54] thru 3-1/2 [89]
- _____ -G Galvanized Cast Iron
- _____ -R Roof Sump Receiver
- _____ -SC Secondary Clamp Collar
- _____ -TC Neo-Loc Test Cap Gasket (2, 3, 4 [51, 76, 102] NL Bottom Outlet Only)
- _____ -VP Vandal-Proof Secured Top
- _____ -84 Stainless Steel Perforated Gravel Guard
- _____ -85 Stainless Steel Perforated Extension
- _____ -89 2 [51] High Overflow Dam

* Regularly furnished unless otherwise specified

⚠ WARNING: Cancer and Reproductive Harm - www.P65Warnings.ca.gov

⚠ ADVERTENCIA: Cáncer y daño reproductivo - www.P65Warnings.ca.gov

⚠ AVERTISSEMENT: Cancer et effets néfastes sur la reproduction - www.P65Warnings.ca.gov

Zurn Industries, LLC | Specification Drainage Operation
1801 Pittsburgh Avenue, Erie, PA 16502, Ph. 855.663.9876

In Canada | Zurn Industries Limited
7900 Goreway Drive, Unit 10, Brampton, Ontario L6T 5W6, Ph. 877.892.5216

www.zurn.com

Rev. C
Date: 05/06/2022
C.N. No. 144476
Prod. | Dwg. No. Z100F-C FLOFORCE™



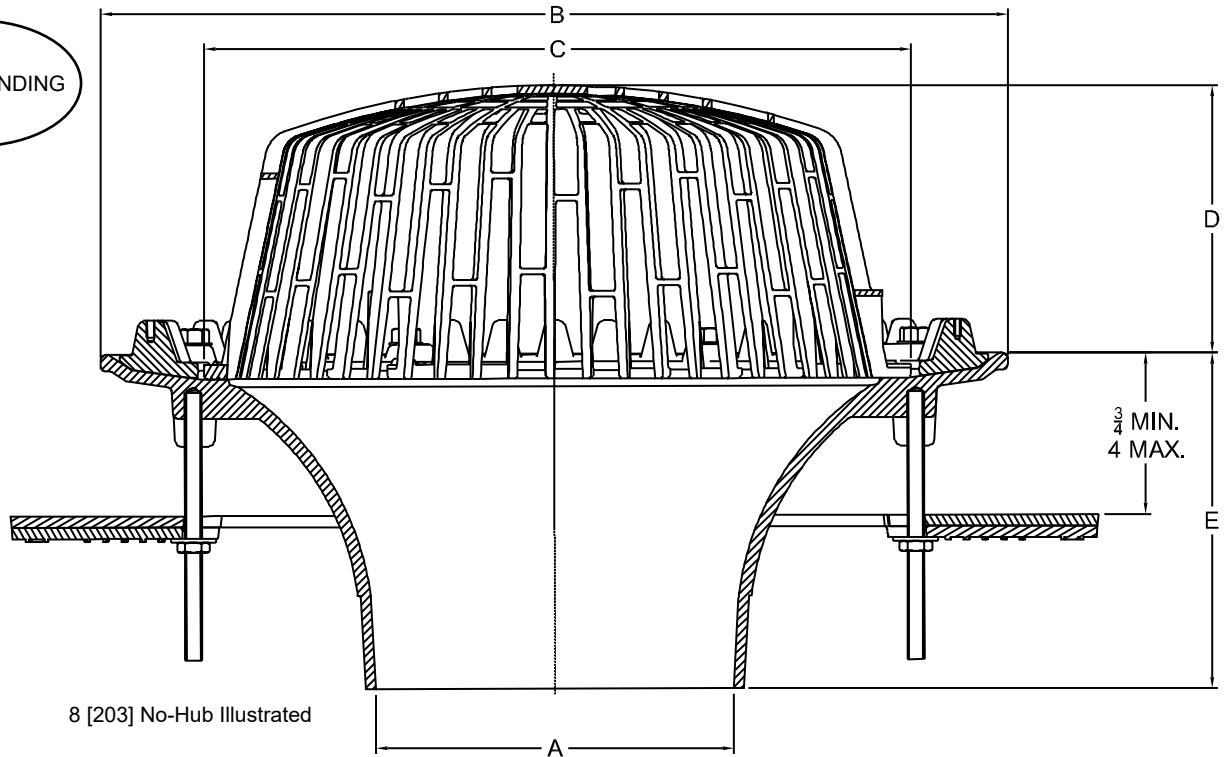
Z100F-C

FLOFORCE™ HIGH PERFORMANCE ROOF DRAIN
WITH UNDERDECK CLAMP
DESIGNED TO DRIVE EFFICIENT FLOW PERFORMANCE

SPECIFICATION SHEET
TAG _____

Design and Dimensional Data (inches and [mm]) are Subject to Manufacturing Tolerances and Change Without Notice

PATENT PENDING



A Outlet Size In. [mm]	B Body Diameter In [mm]	C Dome Diameter In [mm]	D Height, Roof to Dome Top In [mm]	Weight lbs [kg]	Dome Open Area Sq. In. [cm2]
6, 8 [152, 203]	20-3/32 [510]	15-7/8 [403]	6 [152]	57 [26]	214 [1380]

ENGINEERING SPECIFICATION: ZURN Z100F-C

FLOFORCE™ High efficient flow performing roof drain engineered to evacuate water off of roof structure by incorporating a smooth funnel-shaped interior surface, providing a seamless transition to outlet connection and eliminating internal obstructions. Complete with Dura-Coated cast iron body with combination membrane flashing clamp/gravel guard, underdeck clamp and low silhouette Poly-Dome. Flashing clamp/gravel guard provided to prevent debris from entering the drain while allowing water to immediately pass through at zero head level. Poly-dome designed to maximize effective open area and promote efficient flow. (Refer to Z100F specification sheet for flow curves.)

OPTIONS (Check/specify appropriate options)

PIPE SIZE

- 6, 8 [152, 203]
- 6 [152]
- 6, 8 [152, 203]
- 6 [152]

(Specify size/type) **OUTLET**

- _____ NH No-Hub
- _____ NL Neo-Loc
- _____ IP Threaded
- _____ IC Inside Caulk

E BODY HT. DIM.

- 7-7/16 [189]
- 8-1/32 [204]
- 6-11/16, 6-3/4 [170, 171]
- 6-1/16 [154]

PREFIXES

- _____ Z D.C.C.I. Body with Poly-Dome*
- _____ ZA D.C.C.I. Body with Aluminum Dome
- _____ ZC D.C.C.I. Body with Cast Iron Dome

SUFFIXES

- _____ -AR Acid Resistant Epoxy Coated
- _____ -E Static Extension 1 [25] thru 4 [102] (Specify Ht.)
- _____ -EA Adjustable Extension Assembly 2-1/8 [54] thru 3-1/2 [89]
- _____ -G Galvanized Cast Iron
- _____ -R Roof Sump Receiver
- _____ -SC Secondary Clamp Collar
- _____ -VP Vandal-Proof Secured Top
- _____ -84 Stainless Steel Perforated Gravel Guard
- _____ -85 Stainless Steel Perforated Extension
- _____ -89 2 [51] High Overflow Dam

* Regularly furnished unless otherwise specified

⚠ WARNING: Cancer and Reproductive Harm - www.P65Warnings.ca.gov

⚠ ADVERTENCIA: Cáncer y daño reproductivo - www.P65Warnings.ca.gov

⚠ AVERTISSEMENT: Cancer et effets néfastes sur la reproduction - www.P65Warnings.ca.gov

Zurn Industries, LLC | Specification Drainage Operation
1801 Pittsburgh Avenue, Erie, PA 16502, Ph. 855.663.9876

In Canada | Zurn Industries Limited
7900 Goreway Drive, Unit 10, Brampton, Ontario L6T 5W6, Ph. 877.892.5216

www.zurn.com

Rev.	C
Date:	05/06/2022
C.N. No.	144476
Prod. Dwg. No.	Z100F-C FLOFORCE™