



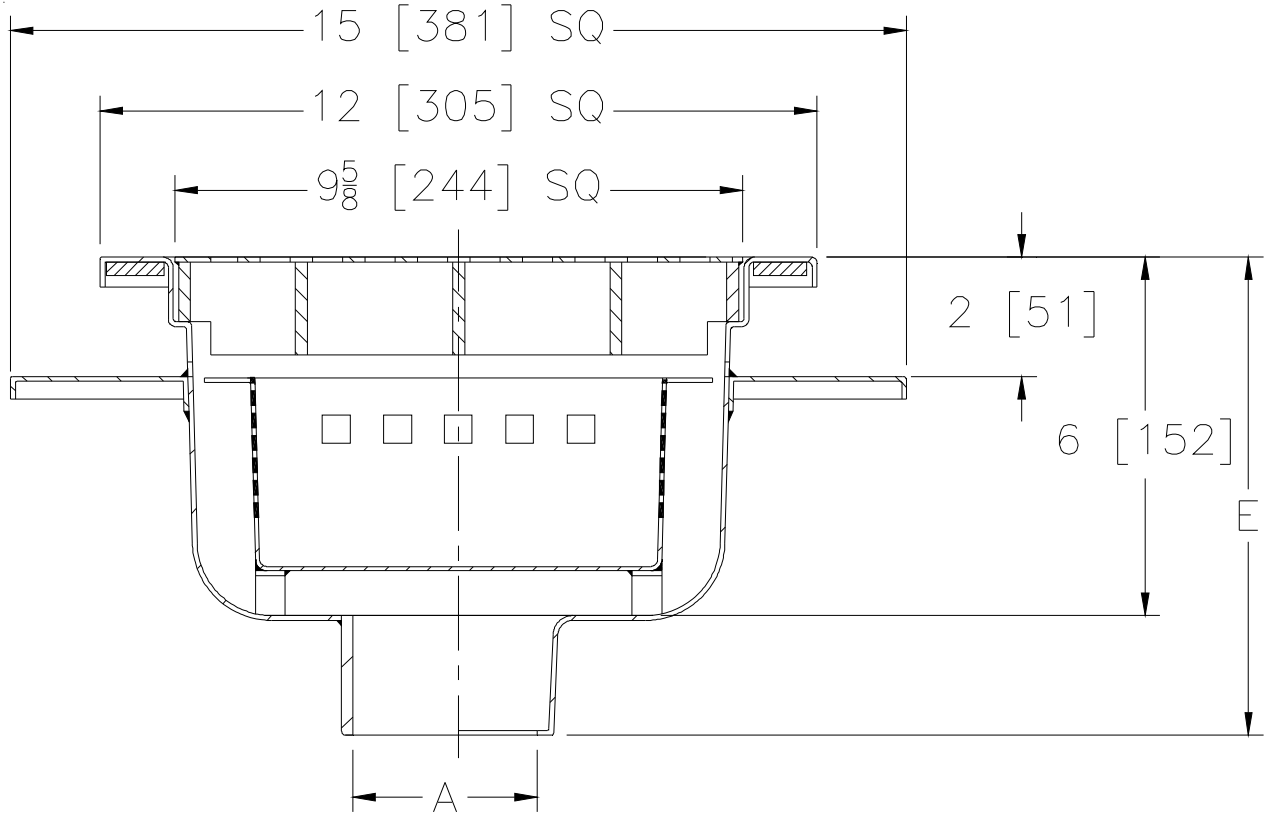
# Z1750-HD-K-Y

12 x 12 [305 x 305] SANI-FLOR RECEPTOR  
6[152] SUMP DEPTH W/ EXTRA HEAVY-DUTY GRATE,  
ANCHOR FLANGE & SEDIMENT BUCKET

SPECIFICATION SHEET

TAG \_\_\_\_\_

Dimensional Data (inches and [ mm ]) are Subject to Manufacturing Tolerances and Change Without Notice



A - Pipe Size In. [mm]	Approx. Wt. Lbs. [kg]	Grate Open Area Sq. In. [cm <sup>2</sup> ]
2, 3, 4 [51, 76, 102]	21 [10]	23 [148]
6 [152]	23 [11]	

### ENGINEERING SPECIFICATION: ZURN Z1750-HD-K-Y

12" x 12" x 6" [305mm x 305mm x 152mm] deep, 16 gage, All Type 304 (CF8) Stainless Steel Sani-Flor receptor with seepage pan and seepage holes, non-tilt, loose set extra heavy-duty grate with 1/2" [13mm] square openings and sediment bucket.

### OPTIONS (Check/specify appropriate options)

#### PIPE SIZE

3, 4 [76, 102]  
2, 3, 4, 6 [51, 76, 102, 152]  
3, 4 [76, 102]

#### (Specify size/type) OUTLET

\_\_\_ IC Inside Caulk  
\_\_\_ NH No-Hub  
\_\_\_ NL Neo-Loc

#### 'E' BODY HT. DIM.

8-9/16 [214]  
8-1/16 [205]  
7-13/16 [198]

#### PREFIXES

\_\_\_ Z Type 304 (CF8) Stainless Steel Body\*  
\_\_\_ ZM Type 316 (CF8M) Stainless Steel

#### SUFFIXES

___ -DX	Dex-o-tex Flange	___ -3	3/4 Grate
___ -P	1/2 [13] Trap Primer Connection	___ -4	Full Grate w/ 3 [76] Square Opening
___ -TC	Neo-Loc Test Cap Gasket (3, 4 [76, 102] NL Bottom Outlet Only)	___ -5	Grate w/ 4 [102] Dia. x 3-3/4 [95] High Type 304 Stainless Steel Funnel
___ -VP	Vandal-Proof Secured Top	___ -8	Grate w/ 8-3/8 x 3-5/8 x 3-3/4 [213 x 92 x 95] High Type 304 Stainless Steel Oval Funnel
___ -2	1/2 Grate		

\* Regularly furnished unless otherwise specified.

Zurn Industries, LLC | Specification Drainage Operation  
1801 Pittsburgh Avenue, Erie, PA U.S.A. 16502 · Ph. 855-663-9876, Fax 814-454-7929  
In Canada | Zurn Industries Limited  
3544 Nashua Drive, Mississauga, Ontario L4V 1L2 · Ph. 905-405-8272, Fax 905-405-1292  
[www.zurn.com](http://www.zurn.com)

Rev. C  
Date: 10/19/2017  
C.N. No. 139023  
Prod. | Dwg. No. Z1750-HD-K-Y