



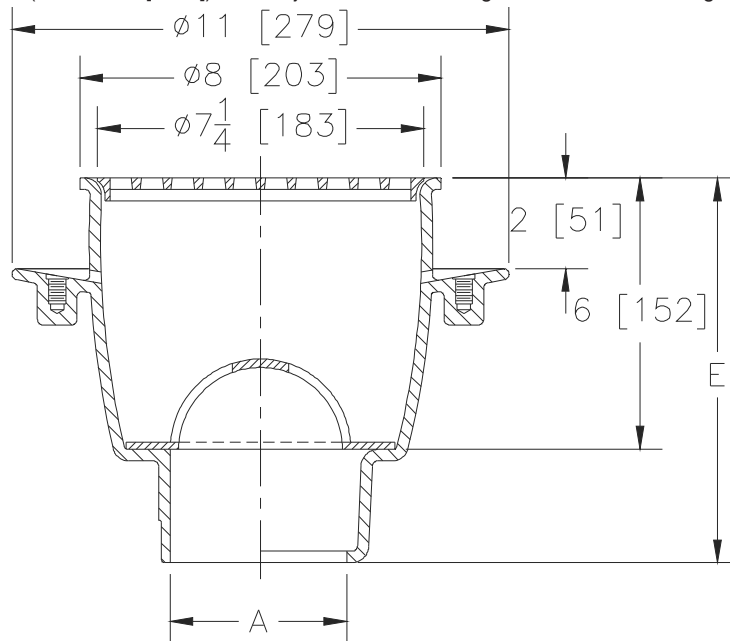
# Z1960-K

8 [203] DIAMETER A.R.E. SANI-FLOR RECEPTOR  
6 [152] SUMP DEPTH WITH ANCHOR FLANGE WITH  
SEEPAGE HOLES

SPECIFICATION SHEET

TAG \_\_\_\_\_

Dimensional Data (inches and [ mm ]) are Subject to Manufacturing Tolerances and Change Without Notice



A Pipe Size In. [mm]	Approx Wt. Lbs. [kg]	Grate Open Area Sq. In. [cm <sup>2</sup> ]
2,3,4 [51,76,102]	25 [11]	15 [97]

### ENGINEERING SPECIFICATION: ZURN Z1960-K

Sani-Flor Receptor 8" [203mm] diameter x 6" [152mm] deep cast iron body with anchor flange with seepage holes, round square holed light duty grate with white acid resisting porcelain enamel interior and top, black ground enamel exterior coating, complete with aluminum anti-splash interior bottom dome strainer.

### OPTIONS (Check/specify appropriate options)

#### PIPE SIZE

3,4 [76,102]  
2,3,4 [51,76,102]  
2,3,4 [51,76,102]

#### (Specify size/type) OUTLET

\_\_\_ IC Inside Caulk  
\_\_\_ NH No-Hub  
\_\_\_ NL Neo-Loc

#### 'E' BODY HT. DIMENSION

Z	ZN
8-1/2 [216]	9 [229]
8-1/2 [216]	9 [229]
8 [203]	8-7/16 [214]

### PREFIXES

\_\_\_ Z Cast Iron Body with White A.R.E. Interior\*  
\_\_\_ ZN Cast Iron Body with White A.R.E. Interior, 8-1/2 [216] Round Nickel Bronze Frame and Full Grate with 1/4 [6] Square Openings.

### SUFFIXES

___ -LD Less Internal Bottom Dome Strainer	___ -6 Grate w/6 [152] Diameter x 6 [152] High Funnel
___ -P 1/2 [13] Threaded Trap Primer Connection (See Z1023)	___ -8 Grate w/8-7/8 x 3-5/8 x 3-3/4 [225 x 92 x 95] High Oval Funnel
___ -T Square Frame and Round Grate with 1/4 [6] Square Openings (ZN Only)	___ -11 Vandal Proof Secured Grate
___ -TC Neo-Loc Test Cap Gasket (2,3,4 [51,76,102] NL Bottom Outlet Only)	___ -15 Solid Loose Set Cover
___ -1 Less Grate	___ -23 Aluminum Bucket
___ -2 1/2 Grate	___ -25 White A.R.C. Bucket
___ -3 3/4 Grate	___ -31 Stainless Steel Mesh Liner for Bucket
___ -4 Full Grate With 2 [51] Square Opening	___ -32 Aluminum Dome Strainer
	___ -33 White A.R.C. Anti-Splash Bottom Dome Strainer

\* Regularly furnished unless otherwise specified.