



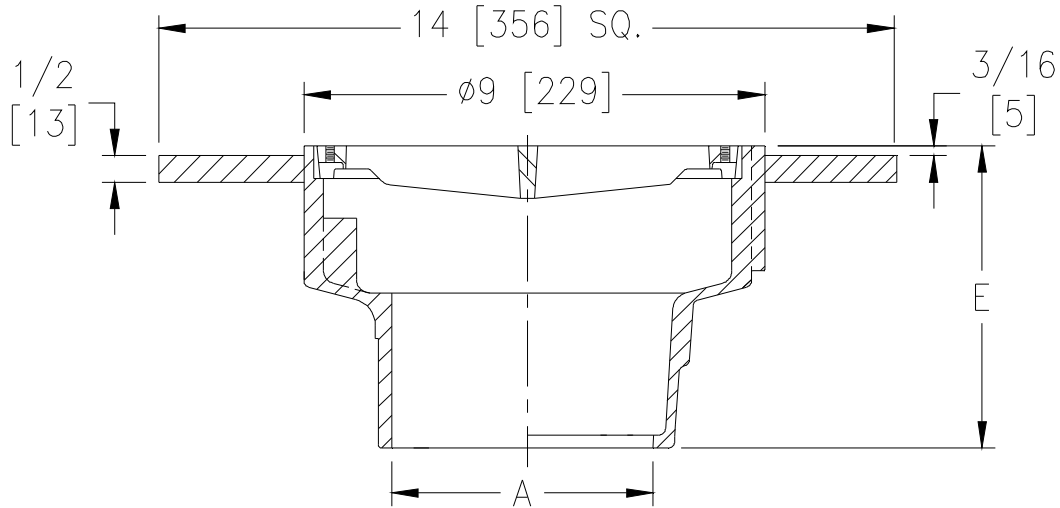
Z551-86

9 [229] DIAMETER MEDIUM-DUTY DRAIN W/ 14 [356] SQUARE DEX-O-TEX FLANGE

SPECIFICATION SHEET

TAG _____

Dimensional Data (inches and [mm]) are Subject to Manufacturing Tolerances and Change Without Notice



ENGINEERING SPECIFICATION: ZURN Z551-86
 9" [229mm] Diameter top drain, Dura-Coated cast iron body with bottom outlet, 14" [356mm] square Dex-O-Tex flange, and medium-duty slotted grate.

A - Pipe Size Inches [mm]	Approx. Wt. Lbs. [kg]	Grate Open Area Sq. In. [cm ²]
2,3,4 [51,76,102]	30 [14]	18 [116]

OPTIONS (Check/specify appropriate options)

PIPE SIZE

- 2,3,4 [51,76,102]
- 2,3,4 [51,76,102]
- 2,3,4 [51,76,102]
- 2,3,4 [51,76,102]
- 2,3,4 [51,76,102]

OUTLET (Specify size/type)

- ___ IC Inside Caulk
- ___ IG Inside Gasket
- ___ IP Threaded
- ___ NH No-Hub
- ___ NL Neo-Loc

'E' BODY HT. DIM.

- 5-3/4 [146]
- 5-3/4 [146]
- 4 [102]
- 5-3/4 [146]
- 5-1/8 [130]

PREFIXES

- ___ Z D.C.C.I. Body and Top*

SUFFIXES

- ___ -AR Acid Resisting Epoxy Coated Cast Iron
- ___ -D Dome Grate
- ___ -DF Deflector Grate
- ___ -DG Duresist Grate
- ___ -G Galvanized Cast Iron
- ___ -P Trap Primer Connection
- ___ -S Secondary Strainer
- ___ -SC Solid Cover
- ___ -SG Solid Gasketed Cover
- ___ -SS Stainless Mesh Liner for Bucket
- ___ -TC Neo-Loc Test Cap Gasket
(2,3,4 [51,76,102] NL Bottom Outlet Only)
- ___ -TG Tractor Grate
- ___ -TS Top Secured with Slotted Screws
- ___ -V Backwater Valve (See Z1099)
- ___ -VP Vandal-Proof Secured Top
- ___ -Y Sediment Bucket
- ___ -90 90° Threaded Side Outlet Body
(2,3,4 [51,76,102], May not be configured with -TS or -V)

* Regularly furnished unless otherwise specified.