



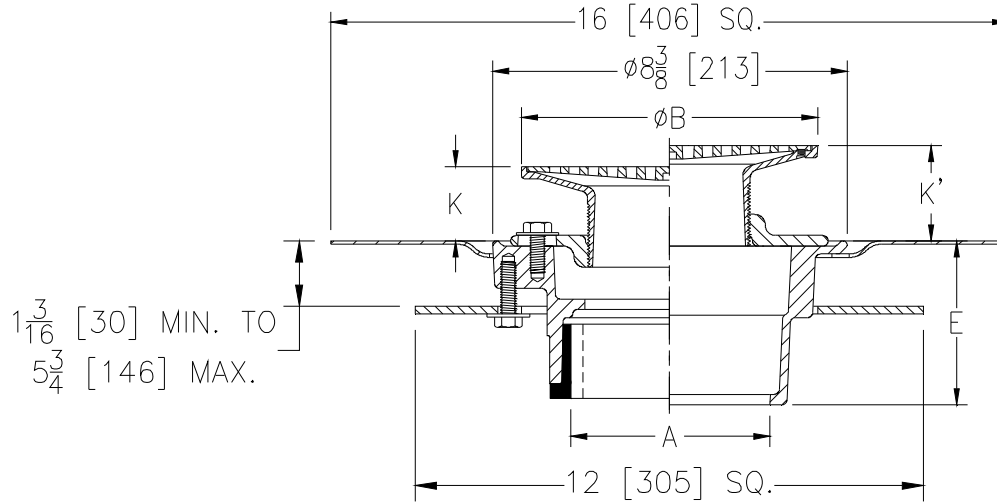
Z415B-115

SPECIFICATION SHEET

BODY ASSEMBLY W/ "TYPE B" STRAINER UNDERDECK CLAMP & ROOF SUMP RECEIVER

TAG _____

Dimensional Data (inches and [mm]) are Subject to Manufacturing Tolerances and Change Without Notice



Dimensions In Inches						Approx. Wt. Lbs. [kg]	Strainer Open Area Sq. In. [cm ²]
A Pipe Size	B Strainer Dia.	K		K'			
		Min.	Max.	Min.	Max.		
2-3 [51-76]	5 [127]	1 [25]	1 1/2 [38]	1 3/32 [28]	2 1/4 [57]	11 [5]	8 [52]
2-3-4 [51-76-102]	6 [152]	1 [25]	1 25/32 [45]	1 13/32 [36]	2 17/32 [64]	13 [6]	9 [58]
2-3-4 [51-76-102]	7 [178]	1 [25]	2 1/8 [54]	1 23/32 [44]	2 7/8 [73]	14 [6]	12 [77]
3-4 [76-102]	8 [203]	1 5/32 [30]	2 1/8 [54]	1 3/4 [44]	2 7/8 [73]	16 [7]	18 [116]
6 [152]	8 [203]	1 5/32 [30]	2 1/8 [54]	1 3/4 [44]	2 7/8 [73]	18 [8]	18 [116]
6 [152]	10 [254]	1 7/16 [37]	2 1/2 [64]	2 [51]	3 1/4 [83]	22 [10]	26 [168]

ENGINEERING SPECIFICATION: ZURN ZN415B-115 Floor and shower drain, Dura-Coated cast iron body with bottom outlet, combination invertible membrane clamp, underdeck clamp, roof sump receiver and adjustable collar with seepage slots and "TYPE B" polished nickel bronze strainer.

OPTIONS (Check/specify appropriate options)

PIPE SIZE

- 2 thru 4 [51 thru 102]
- 2 thru 4 [51 thru 102]
- 2 [51]
- 3 [76]
- 4 [102]
- 6 [152]
- 2 thru 4 [51 thru 102]
- 2 thru 4 [51 thru 102]

(Specify size/type) **OUTLET**

- _____ IC Inside Caulk
- _____ IG Inside Gasket
- _____ IP Threaded
- _____ IP Threaded
- _____ IP Threaded
- _____ IP Threaded
- _____ NH No-Hub
- _____ NL Neo-Loc

'E' BODY HT. DIM.

- 3 7/8 [98]
- 3 7/8 [98]
- 2 3/8 [60]
- 2 5/8 [67]
- 2 7/8 [73]
- 2 3/4 [70]
- 3 7/8 [98]
- 3 3/4 [95]

PREFIXES

- _____ ZB D.C.C.I. Body Assembly w/ Polished Bronze Top
- _____ ZN D.C.C.I. Body Assembly w/ Polished Nickel Bronze Top*

SUFFIXES

- _____ -AA All Acid Resisting Epoxy
- _____ -AR Acid Resisting Epoxy Coated Cast Iron
- _____ -CP Chrome-Plated Bronze Top
- _____ -DC Debris Cover (Field Assembled)
- _____ -DP Decorative Polished Top
- _____ -EF 3/16 [8] Extension Frame
- _____ -G Galvanized Cast Iron
- _____ -HD Heavy-Duty Slotted Grate (ZN 5 [127] & 6 [152] Sizes Only)
- _____ -OF Oval Funnel (Z329-7) (6 - 10 [152 - 254] Strainers Only)
- _____ -P Trap Primer Connection (Specify 1/2 [13] or 3/4 [19])
- _____ -SA Z1035 Stabilizer Assembly (NH & NL Outlets only)
- _____ -SQ Z1035-Q Stabilizer Assembly (NH & NL Outlets only)
- _____ -SR Stabilizer Ring
- _____ -TC Neo-Loc Test Cap Gasket (2-4 [51-102] NL Outlet Only)
- _____ -U 1 - 3 [25 - 76] High Extension Adapter
- _____ -V Backwater Valve
- _____ -VP Vandal-Proof Secured Top
- _____ -W Winter Closure Plug
- _____ -Y Sediment Bucket
- _____ -4 4 [102] Diameter Funnel (Z328)
- _____ -18 Leveling Ring (See Z400-18)
- _____ -90 90° Threaded Side Outlet Body Assembly (2 [51], 3 [76] Only)

*REGULARLY FURNISHED UNLESS OTHERWISE SPECIFIED

REV.	DATE: 6/11/10	C.N. NO. 111256
DWG. NO. 300874 PRODUCT NO. Z415B-115		

ZURN INDUSTRIES, LLC ♦ SPECIFICATION DRAINAGE OPERATION ♦ 1801 Pittsburgh Ave. ♦ Erie, PA 16514

Phone: 814/455-0921 ♦ Fax: 814/454-7929 ♦ World Wide Web: www.zurn.com

In Canada: ZURN INDUSTRIES LIMITED ♦ 3544 Nashua Drive ♦ Mississauga, Ontario L4V1L2 ♦ Phone: 905/405-8272 Fax: 905/405-1292