



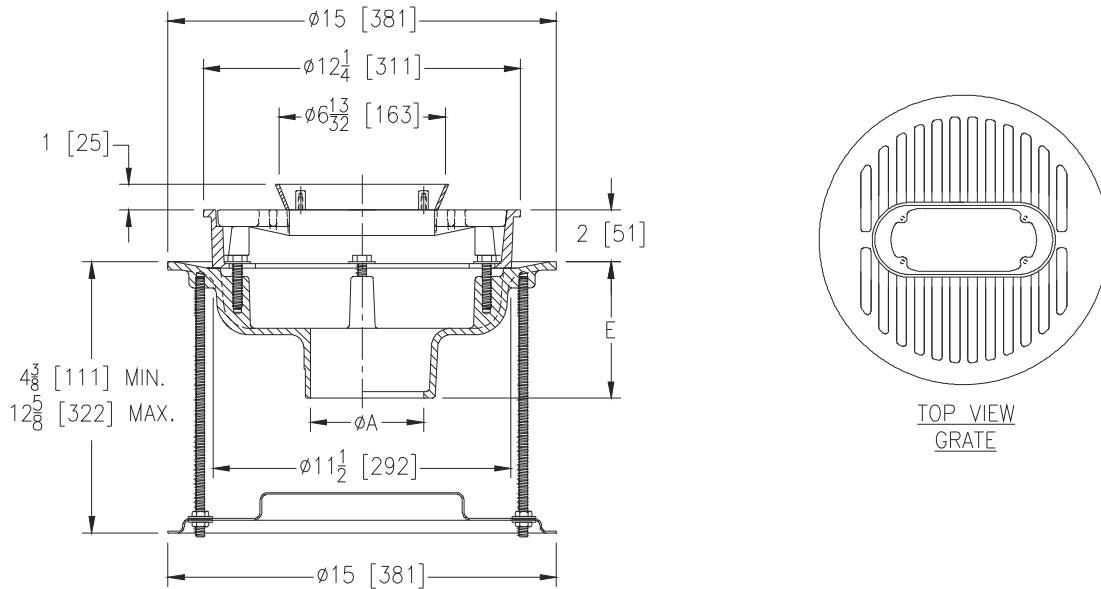
# Z505-96

12 [305] HEAVY-DUTY DRAIN W/ STABILIZER  
ASSEMBLY & 6-13/32 [163] X 1 [25] FUNNEL

SPECIFICATION SHEET

TAG \_\_\_\_\_

Dimensional Data (inches and [ mm ]) are Subject to Manufacturing Tolerances and Change Without Notice



A - Pipe Size In. [mm]	Approx. Wt. Lbs. [kg]	Grate Open Area Sq. In. [cm <sup>2</sup> ]
2,4 [51,102]	45 [20]	36 [232]

**ENGINEERING SPECIFICATION: ZURN Z505-96**

12" [305mm] Diameter top drain. Dura-Coated cast iron body with bottom outlet, seepage pan and combination membrane flashing clamp and frame for heavy duty deep flange slotted grate. Complete with Z1036 stabilizer assembly & 6-13/32" [163mm] X 1 [25mm] funnel.

**OPTIONS** (Check/specify appropriate options)

**PIPE SIZE**

2,3,4 [51,76,102]  
2,3,4 [51,76,102]

(Specify size/type) **OUTLET**

\_\_\_ NH No-Hub  
\_\_\_ NL Neo-Loc

**'E' BODY HT. DIM.**

5-1/4 [133]  
4-5/8 [117]

**PREFIXES**

\_\_\_ Z D.C.C.I. Body and Top\*  
\_\_\_ ZB D.C.C.I. Body Assembly w/Polished Bronze Top (Add 3/16 [5] to 2 [51] Dim.)  
\_\_\_ ZN D.C.C.I. Body Assembly w/Polished Nickel Bronze Top (Add 3/16 [5] to 2 [51] Dim.)

**SUFFIXES**

___ -AR Acid Resisting Epoxy Coated Cast Iron	___ -T Square Top
___ -D Dome Grate	___ -TC Neo-Loc Test Cap Gasket (2,4 [51,102] NL Bottom Outlet Only)
___ -DG Duresist Grate	___ -TS Top Secured with Slotted Screws
___ -F Extension Frame (Specify Total Height Req'd.)	___ -VP Vandal-Proof Secured Top
___ -G Galvanized Cast Iron	___ -Y Sediment Bucket
___ -HP Heel-Proof Grate	
___ -HT Square Hinged Grate	
___ -P Trap Primer Connection (Specify 1/2 [13] or 3/4 [19])	
___ -S Secondary Strainer	
___ -SC Secondary Clamping Collar	
___ -SS Stainless Steel Mesh Liner for Bucket	

\* Regularly furnished unless otherwise specified.