



ZA880-300A-80

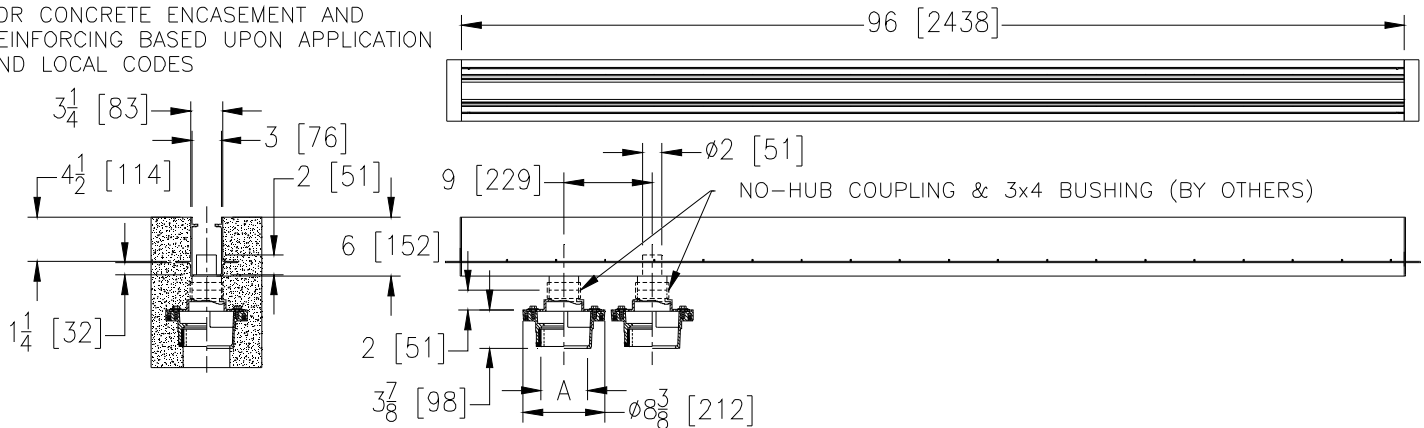
3 [76] WIDE REVEAL TRENCH DRAIN SYSTEM W/ LOWER DRAIN ASSEMBLIES

SPECIFICATION SHEET

TAG _____

Dimensional Data (inches and [mm]) are Subject to Manufacturing Tolerances and Change Without Notice

SPECIFYING ENGINEER IS RESPONSIBLE FOR CONCRETE ENCASEMENT AND REINFORCING BASED UPON APPLICATION AND LOCAL CODES



ENGINEERING SPECIFICATION: Zurn ZA880-300A-80

Channels are 96 [2438] long, 3-1/4 [82] wide reveal, 3 [76] throat, and have a 5-7/8 [149] invert. Modular channel sections are made of 0% water absorbent Aluminum Alloy T-6063T5. Channels have a positive mechanical connection and integral gasket between channel sections that will not separate during the installation. Channels weigh less than 2 lbs. [0.91 kg] per linear foot, have a Manning's coefficient of .002 and neutral 0% built in slope. Channels have 2 [51] flange on both sides to mechanically lock into the concrete surround. Channels will be provided with standard BZ Bronze Decorative grates that do not lock down and not intended for dynamic traffic loadings. Zurn 3-1/4 [48] wide reveal Bronze Decorative Grate conforming to ASTM specification B584 Copper Alloy No. 844. Decorative Bronze Grate is rated class A per the DIN EN1433 top load classifications. Supplied in 24 [610] with 3/4 [19] bearing depth. Grate has an open area of 7.59 sq. in per ft. [16,075 sq. mm per meter]. Trench comes complete with a 3 [76] No-Hub bottom outlet for connection to lower body with an additional overflow drain that is Ø2 [51] internal and Ø3 [76] external connection to a lower body. Trench is anodized after extrusion to match grate color. Trench and grate produced in the U.S.A. Z415 Lower Body Assembly is dura-coated cast iron with a clamp collar and weep holes.

PREFIX OPTIONS (Check/specify appropriate options)

Z Eight-foot, Extruded Aluminum *

SUFFIX OPTIONS (Check/specify appropriate options)

Outlet Adapters Add/Each

- E1 Closed End Cap
- U1.5 1-1/2 [38] No-Hub Bottom Outlet
- U2 2 [51] No-Hub Bottom Outlet

Grate Options (Load Classifications are per DIN EN1433)

- AWG Aluminum Wire Grate - Class A
- AZ Aluminum Decorative Grate - Class A
- BZ Bronze Decorative Grate - Class A
- DOG Ductile Decorative Grate - Class A (Non Domestic)
- NBZ Nickel Bronze Decorative Grate - Class A

Miscellaneous Options

- K 1/8 [3] Weep Hole Above Flange*
- KC Clamp Collar and Pan (includes-K)

* Regularly furnished unless otherwise specified.