



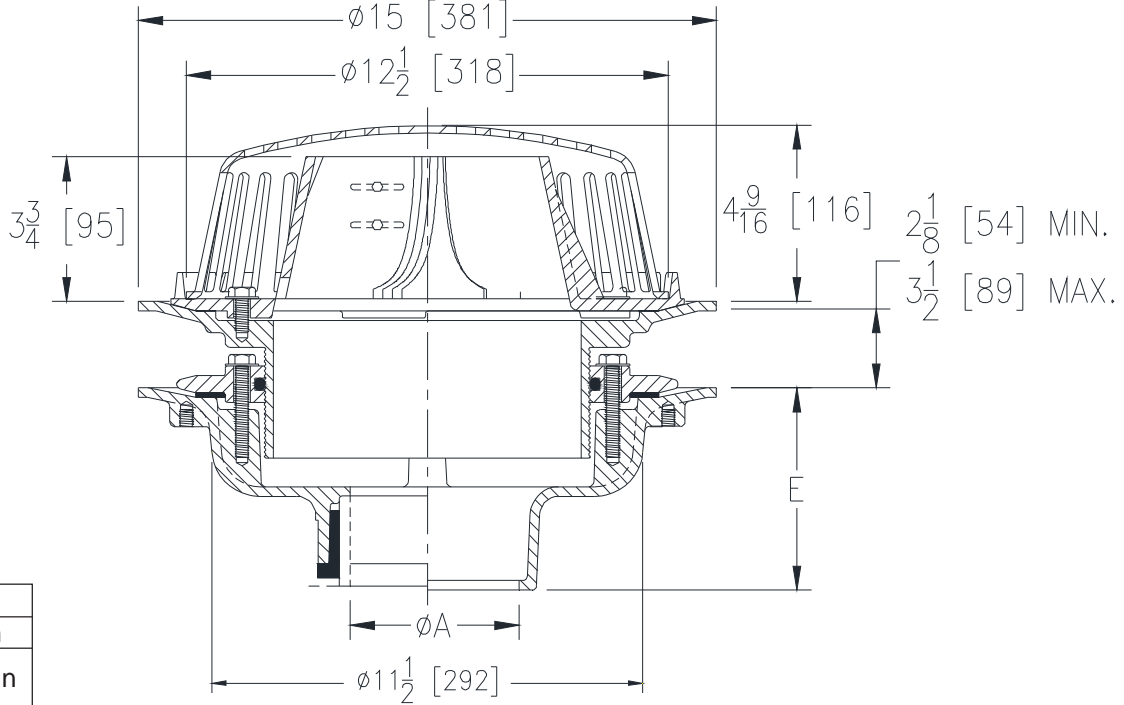
Z105-103

"CONTROL-FLO" ROOF DRAIN W/ ADJUSTABLE EXTENSION & PARABOLIC WEIR

SPECIFICATION SHEET

TAG _____

Dimensional Data (inches and [mm]) are Subject to Manufacturing Tolerances and Change Without Notice



Flow Rate	
Offset	GPM/in
7/8" [22]	5 GPM/in

A- Pipe Size In. [mm]	Approx. Wt. Lbs. [kg]	Dome Open Area Sq. In. [cm ²]
2,3,4 [51,76,102]	45 [20]	103 [665]

ENGINEERING SPECIFICATION: ZURN Z105-103

Ø15 "[381 mm]" Control-Flo" roof drain for Dead-Level roof construction, Dura-Coated cast iron body with adjustable extension "Control-Flow" weir shall be linear functioning, flowing 5 GPM/in of head with integral membrane flashing clamp/gravel guard and Poly-Dome. All data shall be verified proportional to flow rates.

OPTIONS (Check/specify appropriate options)

PIPE SIZE

- 2,3,4 [51,76,102]
- 2,3,4 [51,76,102]
- 2,3,4 [51,76,102]
- 2,3,4 [51,76,102]

(Specify size/type) OUTLET

- _____ IC Inside Caulk
- _____ IP Threaded
- _____ NH No-Hub
- _____ NL Neo-Loc

E BODY HT. DIM.

- 5-1/4 [133]
- 3-3/4 [95]
- 5-1/4 [133]
- 4-9/16 [116]

PREFIXES

- _____ Z D.C.C.I. Body with Poly-Dome*
- _____ ZA D.C.C.I. Body with Aluminum Dome
- _____ ZC D.C.C.I. Body with Cast Iron Dome
- _____ ZRB D.C.C.I. Body with Plain Bronze Dome

SUFFIXES

- | | |
|--|---|
| _____ -C Underdeck Clamp | _____ -TC Neo-Loc Test Cap Gasket (2,3,4 [51,76,102] NL Bottom Outlet Only) |
| _____ -DE Deck Extension | _____ -VP Vandal Proof Secured Top |
| _____ -DR Top-Set® Drain Rise | _____ -XJ Vertical Expansion Joint (See Z190) |
| _____ -E Static Extension Assembly 1 [25] thru 4 [102] | _____ -10 6 [152] High Parabolic Weir for Sloped Roof (Z or ZA) |
| _____ -G Galvanized Cast Iron | _____ -90 90° Threaded Side Outlet Body |
| _____ -R Roof Sump Receiver | |

* Regularly furnished unless otherwise specified.