



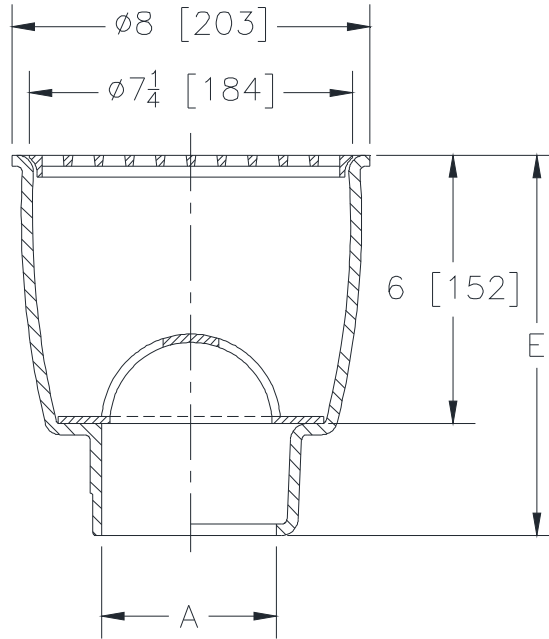
Z1960-33

8 [203] DIAMETER A.R.E. SANI-FLOR RECEPTOR
 6 [152] SUMP DEPTH WITH WHITE A.R.C. BOTTOM
 DOME STRAINER

SPECIFICATION SHEET

TAG _____

Dimensional Data (inches and [mm]) are Subject to Manufacturing Tolerances and Change Without Notice



A Pipe Size In. [mm]	Approx Wt. Lbs.[kg]	Grate Open Area Sq. In. [cm ²]
2,3,4 [51,76,102]	28 [12]	21 [136]

ENGINEERING SPECIFICATION: ZURN Z1960-33
 Sani-Flor Receptor 8" [203mm] diameter x 6" [152mm] deep cast iron body and round square holed light duty grate, with white acid resisting porcelain enamel interior and top, black ground enamel exterior coating, complete with white A.R.C. anti-splash bottom dome strainer.

OPTIONS (Check/specify appropriate options)

PIPE SIZE

(Specify size/type) **OUTLET**

'E' BODY HT. DIMENSION

- 3,4 [76,102]
- 2,3,4 [51,76,102]
- 2,3,4 [51,76,102]

- ___ IC Inside Caulk
- ___ NH No-Hub
- ___ NL Neo-Loc

- | Z | ZN |
|-------------|--------------|
| 8-1/2 [216] | 9 [229] |
| 8-1/2 [216] | 9 [229] |
| 8 [203] | 8-7/16 [214] |

PREFIXES

- ___ Z Cast Iron Body with White A.R.E. Interior*
- ___ ZN Cast Iron Body with White A.R.E. Interior, 8-1/2 [216] Nickel Bronze Frame and Full Grate with 1/4 [6] Square Openings

SUFFIXES

- | | |
|--|--|
| ___ -K Anchor Flange with Seepage Holes | ___ -1 Less Grate |
| ___ -KC Anchor Flange with Seepage Holes and Clamp Collar | ___ -2 1/2 Grate |
| ___ -LD Less Internal Bottom Dome Strainer | ___ -3 3/4 Grate |
| ___ -P 1/2 [13] Threaded Trap Primer Connection (See Z-1023) | ___ -4 Full Grate With 2 [51] Square Opening |
| ___ -T Square Frame and Round Grate with 1/4 [6] Square Openings (ZN Only) | ___ -6 Grate w/ 6 [152] Diameter x 6 [152] High Funnel |
| ___ -TC Neo-Loc Test Cap Gasket (2,3,4 [51,76,102] NL Bottom Outlet Only) | ___ -8 Grate w/ 8-7/8 x 3-5/8 x 3-3/4 [225 x 92 x 95] High Oval Funnel |
| | ___ -11 Vandal Proof Secured Grate |
| | ___ -15 Solid Loose Set Cover |

* Regularly furnished unless otherwise specified.