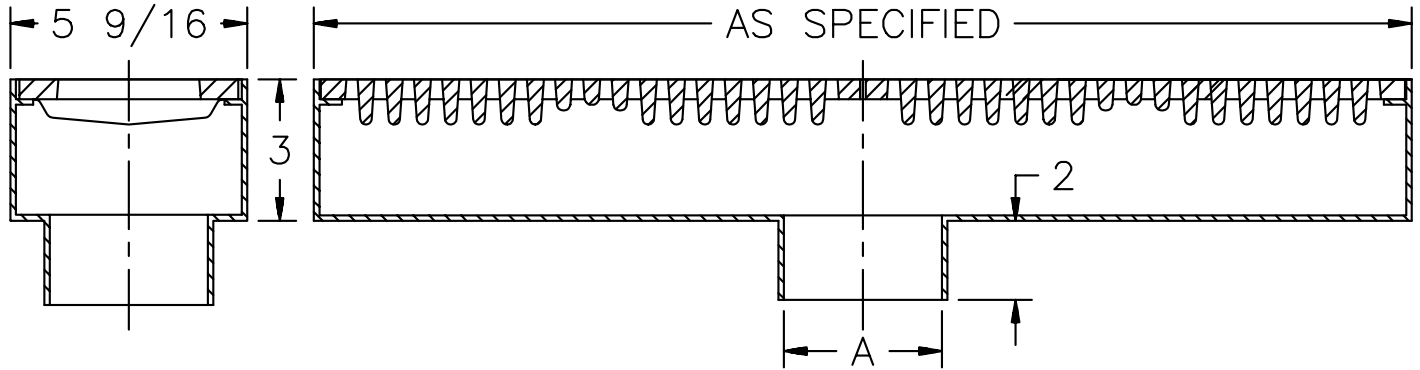




**Z-664-80**  
**5" WIDE TRENCH DRAIN**

TAG \_\_\_\_\_

Dimensional Data (inches and [ mm ]) are Subject to Manufacturing Tolerances and Change Without Notice



A- Pipe Size In.	Grate Open Area Sq. In.
2-3-4	15

**ENGINEERING SPECIFICATION:** ZURN Z-664-80 3" x 5-9/16" Wide Top trench drain. #11 Gage Type 304 stainless steel body with cast iron grate.

**OPTIONS** (Check/specify appropriate options)

**OUTLET** (Specify type)

\_\_\_\_\_ **NH** No-Hub

**PIPE SIZE** (Specify size)

\_\_\_\_\_ 2" thru 4"

**'E' BODY HT. DIMENSION**

5"

**PREFIXES**

- \_\_\_\_\_ **ZS-** Cast Type 304 Stainless Steel Body with Cast Iron Grate\*
- \_\_\_\_\_ **ZN-** Type 304 Stainless Steel Body with Polished Stainless Steel Veneered Cast Iron Grate (Add 1/8" to 5" Dim.)

**SUFFIXES**

- \_\_\_\_\_ **-C** Clamp Collar
- \_\_\_\_\_ **-D** Dome Strainer
- \_\_\_\_\_ **-G** Galvanized Cast Iron
- \_\_\_\_\_ **-VP** Vandal Proof Secured Top

<b>REV.</b>	<b>DATE: 12/19/91</b>	<b>C.N. NO. 67981</b>
<b>DWG. NO. P-13659 PRODUCT NO. Z-664-80</b>		

\*REGULARLY FURNISHED UNLESS OTHERWISE SPECIFIED