



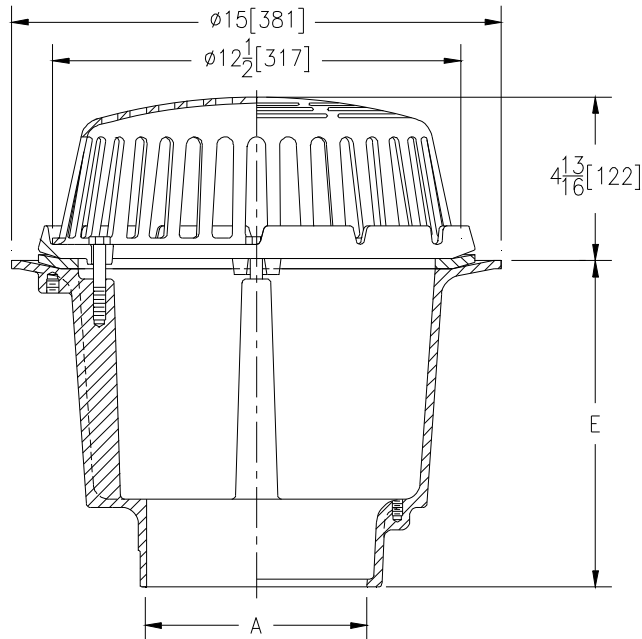
# Z104-SC

15 [381] DIAMETER DEEP SUMP ROOF DRAIN WITH  
SECONDARY CLAMP COLLAR

SPECIFICATION SHEET

TAG \_\_\_\_\_

Dimensional Data (inches and [ mm ]) are Subject to Manufacturing Tolerances and Change Without Notice



A- Pipe Size In. [mm]	Approx. Wt. Lbs. [kg]	Dome Open Area Sq. In. [cm <sup>2</sup> ]
3, 4 [76, 102]	46 [21]	103 [665]
6, 8 [152, 203]		

**ENGINEERING SPECIFICATION: ZURN Z104-SC**  
15" [381mm] Diameter roof drain. Dura-Coated cast iron deep sump body with combination membrane flashing clamp/gravel guard, secondary clamp collar and low silhouette Poly-Dome.

**OPTIONS** (Check/specify appropriate options)

**PIPE SIZE**

3, 4, 6, 8 [76, 102, 152, 203]  
3, 4 [76, 102]

(Specify size/type) **OUTLET**

\_\_\_\_\_ NH No-Hub  
\_\_\_\_\_ NL Neo-Loc

**'E' BODY HT. DIM.**

10 [254]  
9-5/16 [236]

**PREFIXES**

\_\_\_\_\_ Z D.C.C.I. Body with Poly-Dome\*  
\_\_\_\_\_ ZA D.C.C.I. Body with 6-3/4 [171] High Aluminum Dome  
\_\_\_\_\_ ZC D.C.C.I. Body with Cast Iron Dome

**SUFFIXES**

_____ -AC	Angular Underdeck Clamp	_____ -HD	6-3/4 [171] High Aluminum Dome (148 Sq. In. [955 cm <sup>2</sup> ] Open Area)
_____ -AR	Acid Resistant Epoxy Coated Finish	_____ -R	Roof Sump Receiver
_____ -AW	3/4 [19] to 4 [102] Adjustable Water Level Regulator	_____ -SS	Stainless Steel Mesh Screen Over Dome
_____ -C	Underdeck Clamp	_____ -VP	Vandal Proof Secured Top
_____ -DX	Dex-o-tex Flange	_____ -W2	2 [50] Internal Water Dam
_____ -E	Static Extension 1 [25] thru 4 [102] (Specify Ht)	_____ -W3	3 [76] Internal Water Dam
_____ -EA	Adjustable Extension Assembly	_____ -W4	4 [102] Internal Water Dam
_____ -FG	Flush Grate	_____ -84	Stainless Steel Perforated Gravel Guard
_____ -G	Galvanized Cast Iron	_____ -89	2 [50] High External Water Dam

\* Regularly furnished unless otherwise specified.

**Zurn Industries, LLC | Specification Drainage Operation**  
1801 Pittsburgh Avenue, Erie, PA U.S.A. 16502 · Ph. 855-663-9876, Fax 814-454-7929  
In Canada | **Zurn Industries Limited**  
3544 Nashua Drive, Mississauga, Ontario L4V 1L2 · Ph. 905-405-8272, Fax 905-405-1292  
[www.zurn.com](http://www.zurn.com)

Rev. A  
Date: 10/03/2017  
C.N. No. 138230  
Prod. | Dwg. No. Z104-SC