



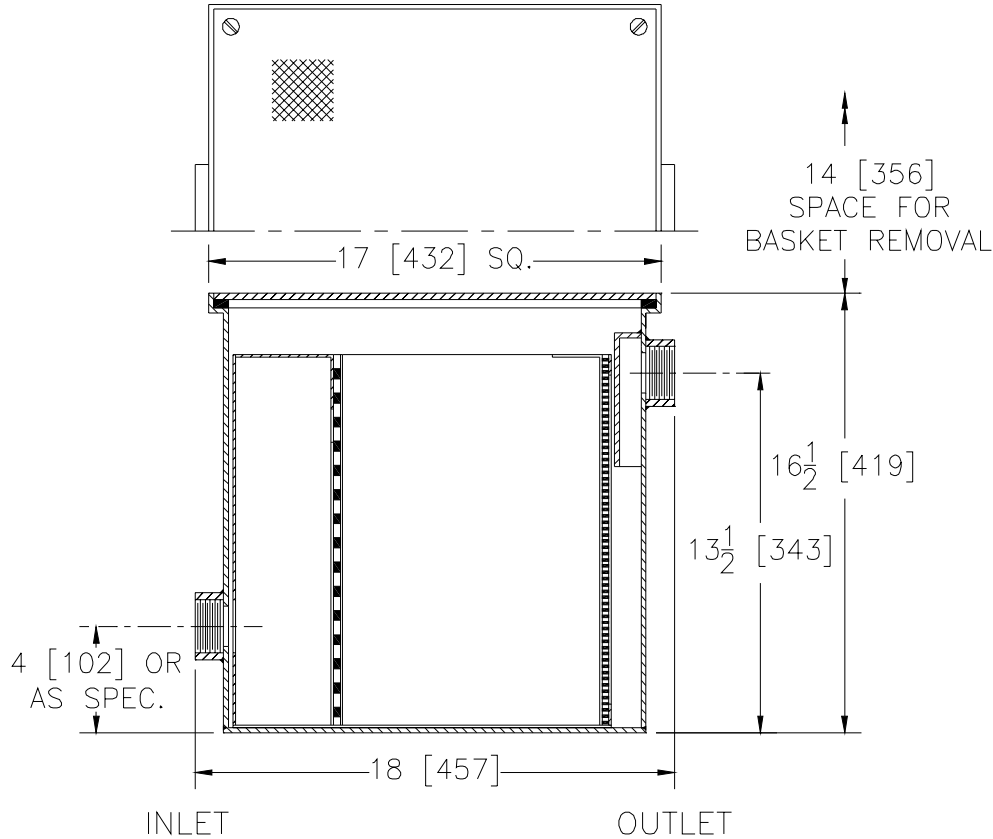
# Z1181-85

## SOLIDS INTERCEPTOR FOR ANIMAL HAIR APPLICATIONS

SPECIFICATION SHEET

TAG \_\_\_\_\_

Dimensional Data (inches and [ mm ]) are Subject to Manufacturing Tolerances and Change Without Notice



Inlet/Outlet Inches	Flow Rate GPM [L]	Approx. Wt. Lbs. [kg]
1-1/2, 2**, 3 [38, 50, 75]	30 [113]	40 [18]

**ENGINEERING SPECIFICATION:** ZURN Z1181-85 Large capacity Acid Resistant Coated interior and exterior fabricated steel solids interceptor, in lieu of fixture 'P' trap, for on-floor or flush with floor installation. Furnished with a removable Acid Resistant Coated fabricated steel bucket having removable primary and secondary flow diffusing/intercepting brass screens (3/32 [2] dia. holes), for animal hair applications and complete with a top access gasketed secured cover. Regularly furnished with 2 [50] low inlet and high outlet\*\*.

**OPTIONS** (Check/Specify appropriate options)

**PREFIXES**

\_\_\_ Z Standard Assembly\* (See Engineering Specification)

**SUFFIXES**

- \_\_\_ -R Acid Resistant Coated Interior and Exterior Fabricated Steel Recessing Receiver for Recessed Installation is equipped with Adjustable Support Brackets and Gasketed Non-Skid Secured Cover with Covered Recessed Lift Handle
- \_\_\_ -SA Stainless Steel Perforated Screens for Bucket, sized for Animal Hair Applications (3/32 [2] dia. holes)
- \_\_\_ -YA Replacement Basket Assembly with Special Perforated Screens, sized for Animal Hair Applications

REV.	DATE: 9/21/05	C.N. NO. 93798
DWG. NO. P-15200 PRODUCT NO. Z1181-85		

\*REGULARLY FURNISHED UNLESS OTHERWISE SPECIFIED