



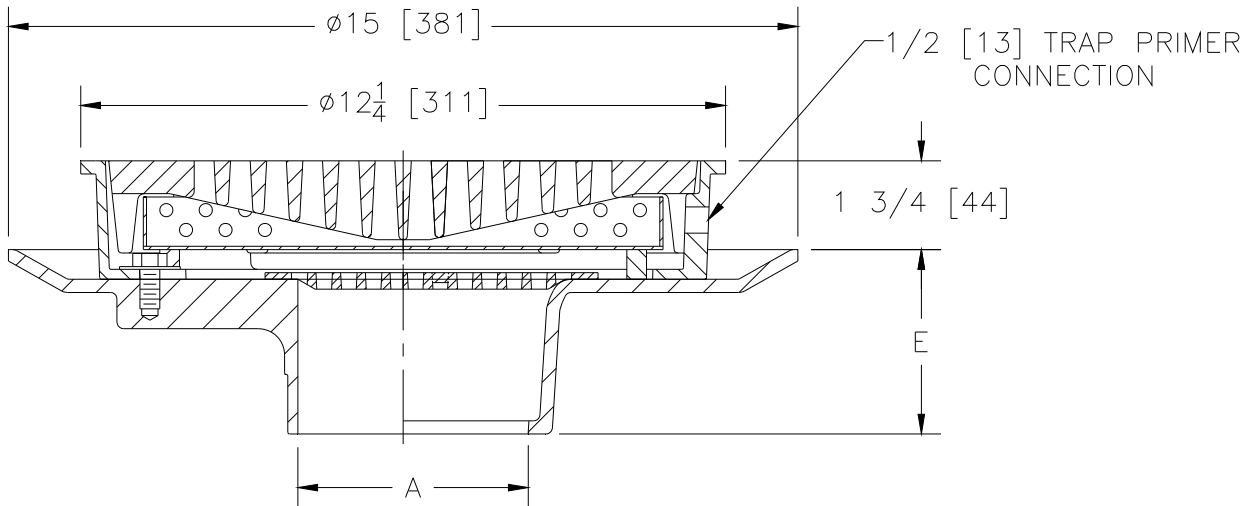
Z509-86

12 [305] HEAVY DUTY DRAIN WITH STAINLESS STEEL SEDIMENT BUCKET, TRAP PRIMER CONNECTION, STAINLESS STEEL SECONDARY STRAINER, ACID RESISTANT EPOXY COATED CAST IRON

SPECIFICATION SHEET

TAG _____

Dimensional Data (inches and [mm]) are Subject to Manufacturing Tolerances and Change Without Notice



A- Pipe Size In.	Approx. Wt. Lbs. [kg]	Grate Open Area Sq. In. [cm ²]
3-4-6 [75-100-150]	38 [17]	30 [194]

ENGINEERING SPECIFICATION: ZURN Z509-86

12 [305] Diameter top drain. Acid resisting epoxy coated cast iron body with bottom outlet, seepage pan, stainless steel sediment bucket, stainless steel secondary strainer, and combination membrane flashing clamp and frame with trap primer connection for heavy duty tractor grate.

OPTIONS (Check/specify appropriate options)

PIPE SIZE

- 3, 4, 6 [75, 100, 150]
- 3, 4, 6 [75, 100, 150]
- 3, 4, 6 [75, 100, 150]
- 3, 4, 6 [75, 100, 150]
- 3, 4 [75, 100]

(Specify size/type) **OUTLET**

- ___ IC Inside Caulk
- ___ IG Inside Caulk w/Sealtrol Gskt.
- ___ IP Threaded
- ___ NH No-Hub
- ___ NL Neo-Loc

'E' BODY HT. DIM.

- 3 1/2 [89]
- 3 1/2 [89]
- 3 1/2 [89]
- 3 1/2 [89]
- 2 5/8 [67]

PREFIXES

- ___ Z- D.C.C.I. Body and Grate*
- ___ ZB- D.C.C.I. Body with Polished Bronze Grate (Add 3/16 [5] to 1 3/4 [44] Dim.)
- ___ ZN- D.C.C.I. Body with Polished Nickel Bronze Grate (Add 3/16 [5] to 1 3/4 [44] Dim.)

SUFFIXES

- ___ -DG Duresist Grate
- ___ -PH Packing House Grate With 3/8 [9] dia. Holes (Z only)
- ___ -TS Top Secured With Slotted Screws
- ___ -V Backwater Valve (See Z-1099)
- ___ -VP Vandal Proof Secured Top

*REGULARLY FURNISHED UNLESS OTHERWISE SPECIFIED

REV.	DATE: 05/09/12	C.N. NO. 124360
DWG. NO. 309690	PRODUCT NO. Z509-86	