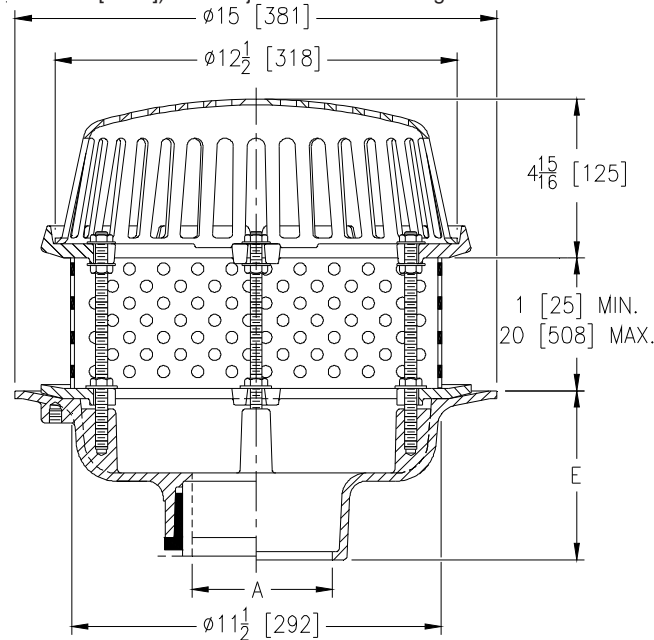




Z100-85

15 [381] DIAMETER ROOF DRAIN W/ STAINLESS STEEL PERFORATED EXTENSION

Dimensional Data (inches and [mm]) are Subject to Manufacturing Tolerances and Change Without Notice



A Pipe Size in [mm]	Approx Wt. lbs [kg]	Dome Open Area in ² [cm ²]
2,3,4 [51,76,102]	28 [13]	103 [665]
6 [152]	29 [13]	
8 [203]	30 [14]	

ENGINEERING SPECIFICATION: ZURNZ100-85

15" [381mm] Diameter roof drain. Dura-Coated cast iron body with combination membrane flashing clamp/gravel guard, perforated extension and low silhouette Poly-Dome strainer.

OPTIONS (Check/specify appropriate options)

PIPE SIZE

- 3,4,6 [76,102,152]
- 2,3,4,6,8 [51,76,102,152,203]
- 2,3,4,6,8 [51,76,102,152,203]
- 2,3,4 [52, 76, 102]
- 6 [152]

(Specify size/type) OUTLET

- _____ IC Inside Caulk
- _____ IP Threaded
- _____ NH No-Hub
- _____ NL Neo-Loc
- _____ NL Neo-Loc

E BODY HT. DIM.

- 5-1/4 [133]
- 3-3/4 [95]
- 5-1/4 [133]
- 4-5/8 [117]
- 5-7/16 [138]

PREFIXES

- _____ Z D.C.C.I. Body with Poly-Dome*
- _____ ZA D.C.C.I. Body with Aluminum Dome
- _____ ZC D.C.C.I. Body with Cast Iron Dome
- _____ ZRB D.C.C.I. Body with Plain Bronze Dome

SUFFIXES

- _____ -AC Angular Underdeck Clamp
- _____ -AR Acid Resistant Epoxy Coated
- _____ -C Underdeck Clamp
- _____ -DE Deck Extension (Includes Deck Plate -DP)
- _____ -DP Top-Set® Roof Deck Plate (Replaces both -C and -R)
- _____ -DR Top-Set Adjustable Riser Extension Assembly
- _____ -E Static Extension 1 [25] thru 4 [102] (Specify Ht.)
- _____ -EA Adjustable Extension Assembly 2-1/8 [54] thru 3-1/2 [89]
- _____ -EB Top-Set Adjustable Extension Assembly

- _____ -FG Flush Grate (Replaces Dome Strainer)
- _____ -G Galvanized Cast Iron
- _____ -HD 6-3/4 [171] High Aluminum Dome (148 sq. in. [955 cm²] open area)
- _____ -R Roof Sump Receiver
- _____ -SS Stainless Steel Mesh Screen Over Dome
- _____ -ST Dome w/ Solid Top (ZA and ZC Only)
- _____ -TC Neo-Loc Test Cap Gasket (2,3,4 [51,76,102] NL Bottom Outlet Only)
- _____ -VP Vandal-Proof Secured Top
- _____ -84 Stainless Steel Perforated Gravel Guard
- _____ -90 90° Threaded Side Outlet Body (2,3,4,6[51,76,102,152])

* Regularly furnished unless otherwise specified.