



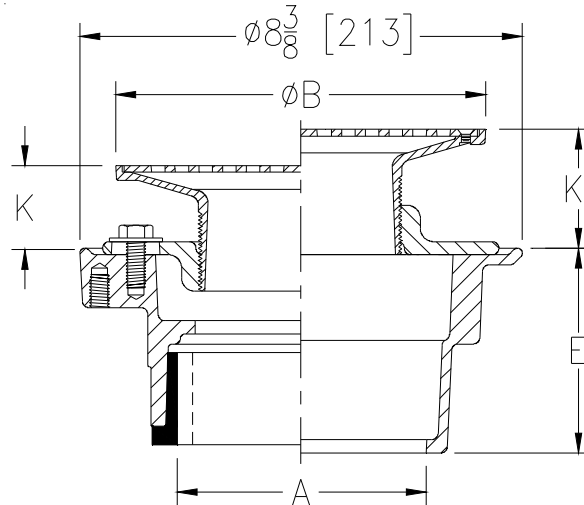
Z415B-113

BODY ASSEMBLY W/ CBC "TYPE B" STRAINER

SPECIFICATION SHEET

TAG _____

Dimensional Data (inches and [mm]) are Subject to Manufacturing Tolerances and Change Without Notice



Dimensions In Inches						Approx. Wt. Lbs. [kg]	Strainer Open Area Sq. In. [cm ²]
A Pipe Size	B Strainer Dia.	K		K'			
		Min.	Max.	Min.	Max.		
2-3 [51-76]	5 [127]	1 [25]	1 1/2 [38]	1 3/32 [28]	2 1/4 [57]	11 [5]	5.8 [37]
2-3-4 [51-76-102]	6 [152]	1 [25]	1 25/32 [45]	1 13/32 [36]	2 17/32 [64]	13 [6]	8.7 [56]
2-3-4 [51-76-102]	7 [178]	1 [25]	2 1/8 [54]	1 23/32 [44]	2 7/8 [73]	14 [6]	13 [84]
3-4 [76-102]	8 [203]	1 5/32 [30]	2 1/8 [54]	1 3/4 [44]	2 7/8 [73]	16 [7]	17.8 [115]
6 [152]	8 [203]	1 5/32 [30]	2 1/8 [54]	1 3/4 [44]	2 7/8 [73]	18 [8]	17.8 [115]
6 [152]	10 [254]	1 7/16 [37]	2 1/2 [64]	2 [51]	3 1/4 [83]	22 [10]	23 [148]

ENGINEERING SPECIFICATION: ZURN ZN415B-113 Floor and shower drain, Dura-Coated cast iron body with bottom outlet, combination invertible membrane clamp and adjustable collar with seepage slots, Nickel Bronze Head, and CBC "TYPE B" polished stainless steel heel-proof strainer with 1/4 [6] sq. openings.

OPTIONS (Check/specify appropriate options)

PIPE SIZE	(Specify size/type) OUTLET	'E' BODY HT. DIM.
2 thru 4 [51 thru 102]	_____ IC Inside Caulk	3 7/8 [98]
2 thru 4 [51 thru 102]	_____ IG Inside Gasket	3 7/8 [98]
2 [51]	_____ IP Threaded	2 3/8 [60]
3 [76]	_____ IP Threaded	2 5/8 [67]
4 [102]	_____ IP Threaded	2 7/8 [73]
6 [152]	_____ IP Threaded	2 3/4 [70]
2 thru 4 [51 thru 102]	_____ NH No-Hub	3 7/8 [98]
2 thru 4 [51 thru 102]	_____ NL Neo-Loc	3 3/4 [95]

PREFIXES

___ ZN D.C.C.I. Body Assembly w/ Polished Nickel Bronze Top*

SUFFIXES

- | | |
|---|---|
| ___ -AR Acid Resisting Epoxy Coated Cast Iron | ___ -Y Sediment Bucket |
| ___ -DC Debris Cover (Field Assembled) | ___ -18 Leveling Ring (See Z400-18) |
| ___ -DP Decorative Polished Top | ___ -90 90° Threaded Side Outlet Body Assembly
(2 [51], 3 [76] Only) |
| ___ -EF 3/8 [10] Extension Frame | |
| ___ -G Galvanized Cast Iron | |
| ___ -P Trap Primer Connection (Specify 1/2 [13] or 3/4 [19]) | |
| ___ -SA Z1035 Stabilizer Assembly (NH & NL Outlets only) | |
| ___ -SQ Z1035-Q Stabilizer Assembly (NH & NL Outlets only) | |
| ___ -SR Stabilizer Ring | |
| ___ -TC Neo-Loc Test Cap Gasket (2-4 [51-102] NL Outlet Only) | |
| ___ -U 1 - 3 [25 - 76] High Extension Adapter | |
| ___ -VP Vandal-Proof Secured Top | |
| ___ -W Winter Closure Plug | |

REV. B DATE: 01/09/12 C.N. NO. 122620
DWG. NO. P-15841 PRODUCT NO. Z415B-113

*REGULARLY FURNISHED UNLESS OTHERWISE SPECIFIED