

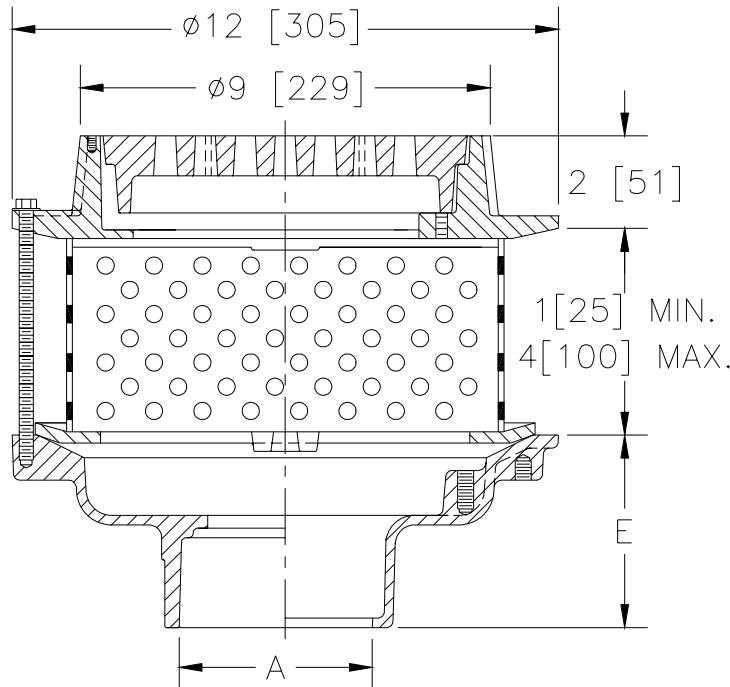


# Z-508-82

## 9" [229] HEAVY DUTY DRAIN W/ PERFORATED EXTENSION

TAG \_\_\_\_\_

Dimensional Data (inches and [ mm ]) are Subject to Manufacturing Tolerances and Change Without Notice



A- Pipe Size In.	Approx. Wt. Lbs. [kg]	Grate Open Area Sq. In. [cm <sup>2</sup> ]
2-3-4 [50-75-100]	21 [10]	18 [116]
6 [150]	25 [10]	

**ENGINEERING SPECIFICATION:** ZURN Z-508-82 9" [229] Diameter top drain, Dura-Coated cast iron body with bottom outlet, seepage pan and combination membrane flashing clamp, perforated extension and frame for heavy duty cast iron deep flange slotted grate.

**OPTIONS** (Check/specify appropriate options)

**PIPE SIZE**

- 2, 3, 4 [50, 75, 100]
- 2, 3, 4 [50, 75, 100]
- 2, 3, 4 [50, 75, 100]
- 6 [150]
- 2, 3, 4 [50, 75, 100]

(Specify size/type) **OUTLET**

- \_\_\_ IC Inside Caulk
- \_\_\_ IP Threaded
- \_\_\_ NH No-Hub
- \_\_\_ NH No-Hub
- \_\_\_ NL Neo-Loc

**'E' BODY HT. DIM.**

- 3 3/4 [95]
- 2 3/4 [70]
- 4 3/4 [121]
- 5 1/4 [133]
- 3 3/4 [95]

**PREFIXES**

- \_\_\_ Z- D.C.C.I. Body and Grate\*
- \_\_\_ ZB- D.C.C.I. Body with Polished Bronze Grate (Add 3/16 [5] to 2 [51] Dim.)
- \_\_\_ ZN- D.C.C.I. Body with Polished Nickel Bronze Grate (Add 3/16 [5] to 2 [51] Dim.)

**SUFFIXES**

- |   |  |
|---|--|
| <ul style="list-style-type: none"> <li>___ -AR Acid Resisting Epoxy Coated Cast Iron</li> <li>___ -DG Duresist Grate</li> <li>___ -F Extension Frame</li> <li>___ -G Galvanized Cast Iron</li> <li>___ -HP Heel-Proof Grate</li> <li>___ -P Trap Primer Connection</li> <li>___ -S Secondary Strainer</li> <li>___ -SC Solid Cover</li> <li>___ -SG Solid Gasketed Cover with Handle</li> </ul> | <ul style="list-style-type: none"> <li>___ -TS Top Secured with Slotted Screws</li> <li>___ -V Backwater Valve (See Z-1099)</li> <li>___ -VP Vandal-Proof Secured Top</li> <li>___ -Y Sediment Bucket</li> <li>___ -90 90° Threaded Side Outlet Body (2 thru 4 [50 thru 100])</li> </ul> |
|---|--|

\*REGULARLY FURNISHED UNLESS OTHERWISE SPECIFIED

REV. A	DATE: 8/28/02	C.N. NO. 89781
DWG. NO. P-14315 PRODUCT NO. Z-508-82		