



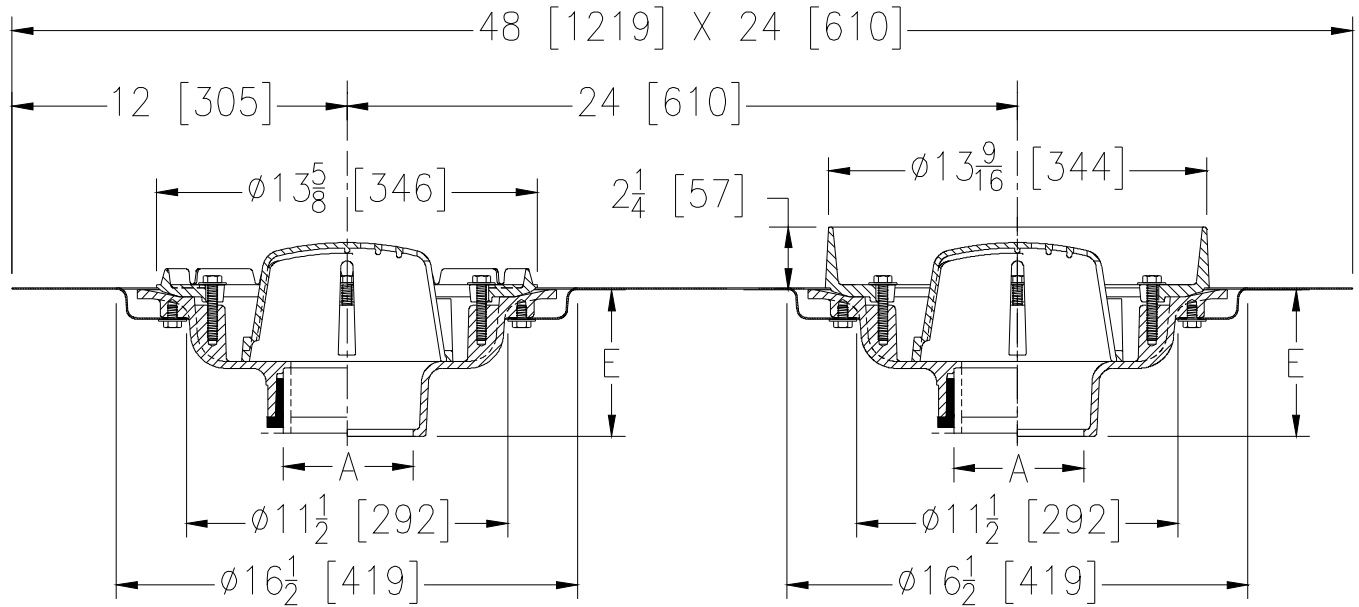
Z163-80

15 [381] DIAMETER COMBINATION MAIN ROOF AND OVERFLOW DRAIN WITH INTERNAL DOME STRAINERS AND DOUBLE TOP SET® DECK PLATE

SPECIFICATION SHEET

TAG _____

Dimensional Data (inches and [mm]) are Subject to Manufacturing Tolerances and Change Without Notice



A Pipe Size In.	Approx. Wt. Lbs. [kg]	Dome Open Area Sq. In. [cm ²]
2-3-4 [51-76-102]	65 [29]	53 [342]
5-6 [127-152]	64 [29]	
8 [203]	65 [29]	

ENGINEERING SPECIFICATION: ZURN Z163-80

15 [381] Diameter roof drain and overflow drain, Dura-Coated cast iron bodies with combination membrane flashing clamp/gravel guards, double Top-Set® deck plate, and and internal bottom dome strainers.

OPTIONS (Check/specify appropriate options)

PIPE SIZE

- 2 thru 6, 8 [51 thru 152, 203]
- 2 thru 6, 8 [51 thru 152, 203]
- 2 thru 6, 8 [51 thru 152, 203]
- 2, 3, 4 [51, 76, 102]

(Specify size/type) OUTLET

- _____ IC Inside Caulk
- _____ IP Threaded
- _____ NH No-Hub
- _____ NL Neo-Loc

E BODY HT. DIM.

- 5 1/4 [133]
- 3 3/4 [95]
- 5 1/4 [133]
- 4 9/16 [116]

PREFIXES

- _____ Z D.C.C.I. Body with Collar*

SUFFIXES

- _____ -AR Acid Resistant Epoxy Coated Finish
- _____ -E Static Extension 1 thru 4 [25 thru 102] (Specify Ht.)
- _____ -G Galvanized Cast Iron
- _____ -HD 6 3/4 [171] High Aluminum Dome Strainer
- _____ -TC Neo-Loc Test Cap Gasket (2-4 [51-102] NL Bottom Outlet Only)

*REGULARLY FURNISHED UNLESS OTHERWISE SPECIFIED

REV. DATE: 10/7/09 C.N. NO. 110288

DWG. NO. P-15781 PRODUCT NO. Z163-80

ZURN INDUSTRIES, LLC ♦ SPECIFICATION DRAINAGE OPERATION ♦ 1801 Pittsburgh Ave. ♦ Erie, PA 16514

Phone: 814/455-0921 ♦ Fax: 814/454-7929 ♦ World Wide Web: www.zurn.com

In Canada: ZURN INDUSTRIES LIMITED ♦ 3544 Nashua Drive ♦ Mississauga, Ontario L4V1L2 ♦ Phone: 905/405-8272 Fax: 905/405-1292