



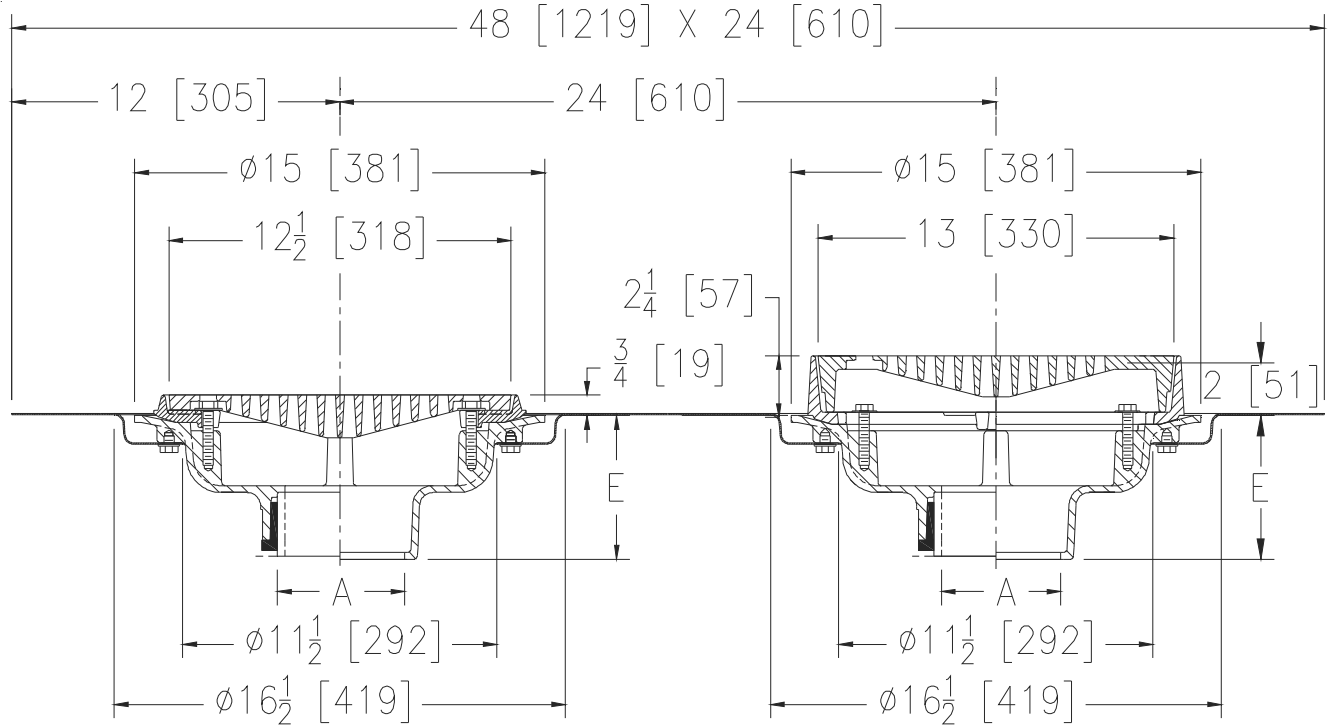
Z163-99

15 [381] DIAMETER COMBINATION MAIN ROOF & EXTERIOR WATER DAM OVERFLOW DRAIN W/ FLUSH GRATES & DOUBLE TOP-SET DECK PLATE

SPECIFICATION SHEET

TAG _____

Dimensional Data (inches and [mm]) are Subject to Manufacturing Tolerances and Change Without Notice



A - Pipe Size In. [mm]	Approx. Wt. Lbs. [kg]	Dome Open Area Sq. In. [cm ²]
2, 3, 4 [51, 76, 102]	73 [33]	103 [665]
6 [152]	74 [34]	
8 [203]	75 [34]	

ENGINEERING SPECIFICATION: ZURN Z163-99

15" [381 mm] Diameter roof drain and overflow drain, Dura-Coated cast iron bodies with combination membrane flashing clamp/gravel guard, 2" [51mm] high combination membrane flashing clamp/gravel guard, double Top-Set® deck plate, and low flush cast iron grates.

OPTIONS (Check/specify appropriate options)

PIPE SIZE

- 3, 4, 6 [51, 76, 152]
- 2, 3, 4, 6, 8 [51, 76, 102, 152, 203]
- 2, 3, 4, 6, 8 [51, 76, 102, 152, 203]
- 2, 3, 4 [51, 76, 102]

(Specify size/type) OUTLET

- _____ IC Inside Caulk
- _____ IP Threaded
- _____ NH No-Hub
- _____ NL Neo-Loc

E BODY HT. DIM.

- 5-1/4 [133]
- 3-3/4 [95]
- 5-1/4 [133]
- 4-5/8 [117]

PREFIXES

- _____ Z D.C.C.I. Body and Grate*

SUFFIXES

- _____ -AR Acid Resistant Epoxy Coated Finish
- _____ -DE Deck Extension
- _____ -DR Top-Set® Drain Riser
- _____ -E Static Extension 1 thru 4 [25 thru 102] (Specify Ht.)
- _____ -EA Adjustable Extension Assembly
2-1/8 thru 3-1/2 [54 thru 89]
- _____ -G Galvanized Cast Iron
- _____ -SC Secondary Clamping Collar
- _____ -SS Stainless Steel Mesh Screen Over Dome
- _____ -TC Neo-Loc Test Cap Gasket
(2,3,4 [51,76,102] NL Bottom Outlet Only)
- _____ -VP Vandal Proof Secured Top
- _____ -XJ Vertical Expansion Joint (See Z190)
- _____ -84 Stainless Steel Perforated Gravel Guard

* Regularly furnished unless otherwise specified.