



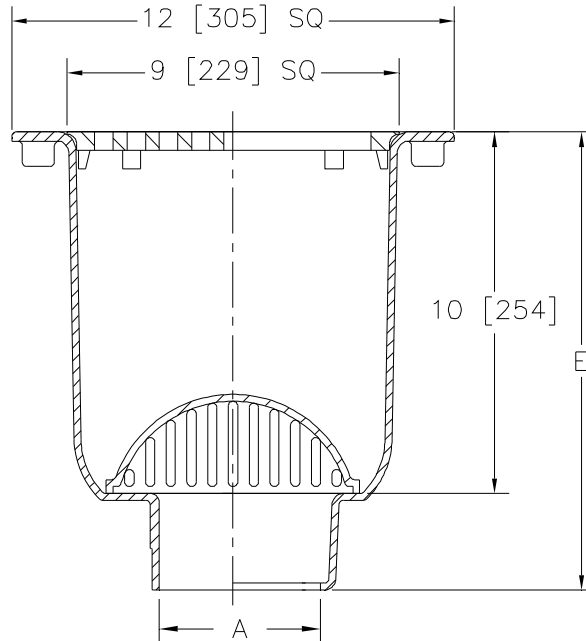
# Z1902-2

12 X 12 [305 X 305] A.R.E. SANI-FLOR RECEPTOR  
W/ 10 [254] SUMP DEPTH & 1/2 GRATE

SPECIFICATION SHEET

TAG \_\_\_\_\_

Dimensional Data (inches and [ mm ]) are Subject to Manufacturing Tolerances and Change Without Notice



A Pipe Size In. [mm]	Approx Wt. Lbs. [kg]	Grate Open Area Sq. In. [cm <sup>2</sup> ]
2,3,4 [51,76,102]	36 [13]	41 [265]

### ENGINEERING SPECIFICATION: ZURN Z1902-2

Sani-Flor Receptor 12" x 12" x 10" [305mm x 305mm x 254mm] deep cast iron body and 1/2 grate, with white acid resisting porcelain enamel interior and top, and black ground enamel exterior coating, complete with ABS anti-splash interior bottom dome strainer.

### OPTIONS (Check/specify appropriate options)

#### PIPE SIZE

- 3, 4 [76, 102]
- 2, 3, 4 [51, 76, 102]
- 2, 3, 4 [51, 76, 102]

#### (Specify size/type) OUTLET

- \_\_\_ IC Inside Caulk
- \_\_\_ NH No-Hub
- \_\_\_ NL Neo-Loc

#### 'E' BODY HT. DIMENSION

Z	ZN / ZS
12-5/8 [321]	13-1/8 [333]
12-5/8 [321]	13-1/8 [333]
12 [305]	12-1/2 [318]

#### PREFIXES

- \_\_\_ Z Cast Iron Body w/ White A.R.E. Interior\*
- \_\_\_ ZN Cast Iron Body w/ White A.R.E. Interior, 12 1/2 [318] Square Nickel Bronze Frame and 1/2 Grate with 1/2 [13] Openings
- \_\_\_ ZS Cast Iron Body w/ White A.R.E. Interior, 12 1/2 [318] Square Stainless Steel Frame and 1/2 Grate with 1/2 [13] Openings

#### SUFFIXES

- |   |   |
|---|---|
| ___ -DX Dex-O-Tex Flange (ZN Only)  | ___ -TC Neo-Loc Test Cap Gasket (2, 3, 4 [51, 76, 102] NL Bottom Outlet Only) |
| ___ -HD Stainless Steel Frame w/ Extra Heavy-Duty Stainless Steel Grate (ZS Only) | ___ -VPS Vandal-Proof Strainer  |
| ___ -HP Heel-Proof Grate (ZN Only)  | ___ -6 Grate w/ 6 [152] Dia. x 6 [152] High Funnel                            |
| ___ -K Anchor Flange with Seepage Holes   | ___ -8 Grate w/ 8-7/8 x 3-5/8 x 3-3/4 [225 x 92 x 95] High Oval Funnel        |
| ___ -KC Anchor Flange with Seepage Holes and Clamp Collar                         | ___ -11 Vandal-Proof Secured Grate  |
| ___ -LD Less Bottom Dome Strainer   | ___ -23 Aluminum Bucket   |
| ___ -P 1/2 [13] Trap Primer Connection (See Z1023)                                | ___ -25 White A.R.C. Bucket   |
| ___ -SA Stabilizer Assembly (See Z1903)   | ___ -31 Stainless Steel Mesh Liner for Bucket                                 |
|   | ___ -32 Aluminum Dome Strainer  |
|   | ___ -33 White A.R.C. Anti-Splash Bottom Dome Strainer                         |

\* Regularly furnished unless otherwise specified.

Zurn Industries, LLC | Specification Drainage Operation  
1801 Pittsburgh Avenue, Erie, PA U.S.A. 16502 · Ph. 855-663-9876, Fax 814-454-7929  
In Canada | Zurn Industries Limited  
3544 Nashua Drive, Mississauga, Ontario L4V 1L2 · Ph. 905-405-8272, Fax 905-405-1292  
[www.zurn.com](http://www.zurn.com)

Rev. C  
Date: 10/12/2017  
C.N. No. 138741  
Prod. | Dwg. No. Z1902-2