



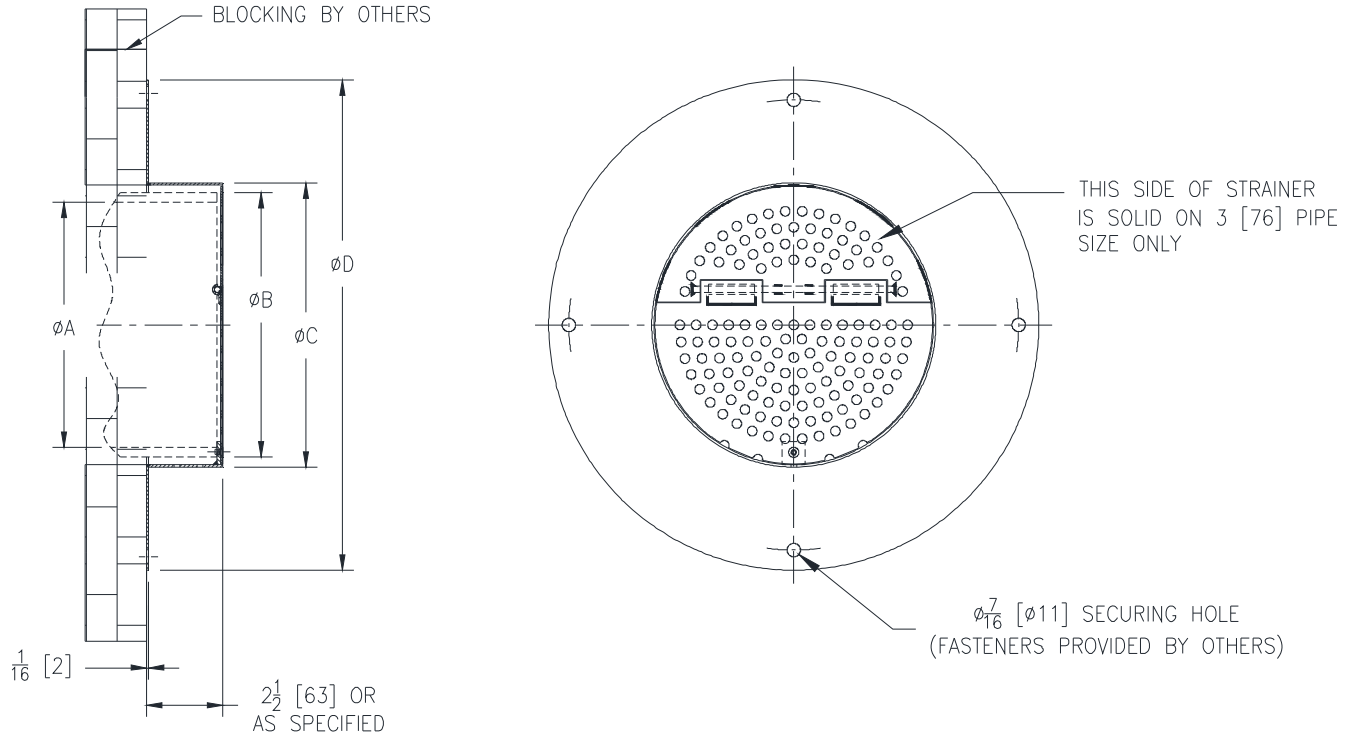
Z199-DC-93

12 [305] DIAMETER DOWNSPOUT COVER
WITH 16 [406] DIAMETER FLANGE

SPECIFICATION SHEET

TAG _____

Dimensional Data (inches and [mm]) are Subject to Manufacturing Tolerances and Change Without Notice



Dimensions In Inches [mm]				Strainer Open Area Sq. In. [cm ²]
A Pipe Size	B Pipe O.D.	C	D	
12 [305]	12-3/4 [324]	13-3/8 [340]	16 [406]	27 [174]

ENGINEERING SPECIFICATION: ZURN ZS199-DC-93
Downspout Cover, round fabricated stainless steel frame with fabricated secured perforated stainless steel hinged strainer.

OPTIONS (Check/specify appropriate options)

PREFIXES

___ ZS Type 304 Stainless Steel*

SUFFIXES

___ -CP Chrome Plated
___ -VP Vandal-Proof Secured Top
___ -5 5 [127] Long Downspout Frame

* Regularly furnished unless otherwise specified.