



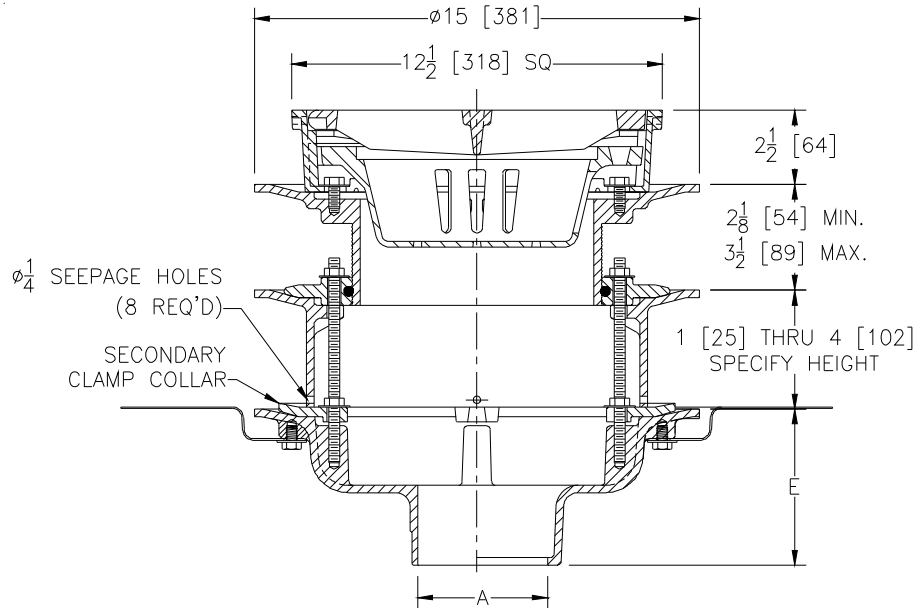
Z610-140

12-1/2 [381] HEAVY-DUTY DRAIN W/ STATIC
EXTENSION, ADJUSTABLE EXTENSION, SECONDARY
CLAMP COLLAR AND DECK PLATE

SPECIFICATION SHEET

TAG _____

Dimensional Data (inches and [mm]) are Subject to Manufacturing Tolerances and Change Without Notice



A - Pipe Size Inches [mm]	Approx. Wt. Lbs. [kg]	Grate Open Area Sq. In. [cm ²]
2,3,4,6 [51,76,102,152]	76 [35]	40 [258]
8 [203]	80 [36]	

ENGINEERING SPECIFICATION: ZURN Z610-140

12-1/2" [381mm] Square top drain, Dura-Coated cast iron body with bottom outlet, seepage pan and combination membrane flashing clamp and frame for heavy-duty cast iron loose slotted grate with suspended sediment bucket, adjustable extension, static extension with seepage holes, Top-Set® deck plate, and secondary flat clamp collar at body .

OPTIONS (Check/specify appropriate options)

PIPE SIZE

- 3, 4, 6 [76, 102, 152]
- 3, 4, 6 [76, 102, 152]
- 2, 3, 4, 6 [51, 76, 102, 152]
- 2, 3, 4, 6, 8 [51, 76, 102, 152, 203]
- 2, 3, 4 [51, 76, 102]

(Specify size/type) OUTLET

- _____ IC Inside Caulk
- _____ IG Inside Caulk w/Sealtrol Gskt.
- _____ IP Threaded
- _____ NH No-Hub
- _____ NL Neo-Loc

'E' BODY HT. DIM.

- 5-1/4 [133]
- 5-1/4 [133]
- 3-3/4 [95]
- 5-1/4 [133]
- 4-5/8 [117]

PREFIXES

- _____ Z D.C.C.I. Body and Top*
- _____ ZB D.C.C.I Body w/Polished Bronze Top (Add 3/16 [5] to 2-1/2 [64] Dim. and 3/4 [19] to 12-1/2 [318] Dim.)
- _____ ZN D.C.C.I Body w/Polished Nickel Bronze Top (Add 3/16 [5] to 2-1/2 [64] Dim. and 3/4 [19] to 12-1/2 [318] Dim.)

SUFFIXES

- | | |
|---|--|
| _____ -AR Acid Resistant Epoxy Coated Cast Iron | _____ -S Secondary Strainer |
| _____ -DG Duresist Grate | _____ -SC Solid Cover |
| _____ -DS Ductile Iron Solid Cover | _____ -SS Stainless Steel Mesh Liner for Bucket |
| _____ -DX Dex-O-Tex Flange (ZB, ZN Only) | _____ -TC Neo-Loc Test Cap Gasket
(2,3,4 [51,76,102] NL Bottom Outlet Only) |
| _____ -G Galvanized Cast Iron | _____ -TS Top Secured with Slotted Screws |
| _____ -H Hinged Grate | _____ -V Backwater Valve (See Z1099) |
| _____ -HL Hinged Locking Grate | _____ -VP Vandal-Proof Secured Top |
| _____ -LY (Less) Sediment Bucket | _____ -YA Aluminum Sediment Bucket |
| _____ -P Trap Primer Connection | _____ -90 90° Threaded Side Outlet Body |

* Regularly furnished unless otherwise specified.