



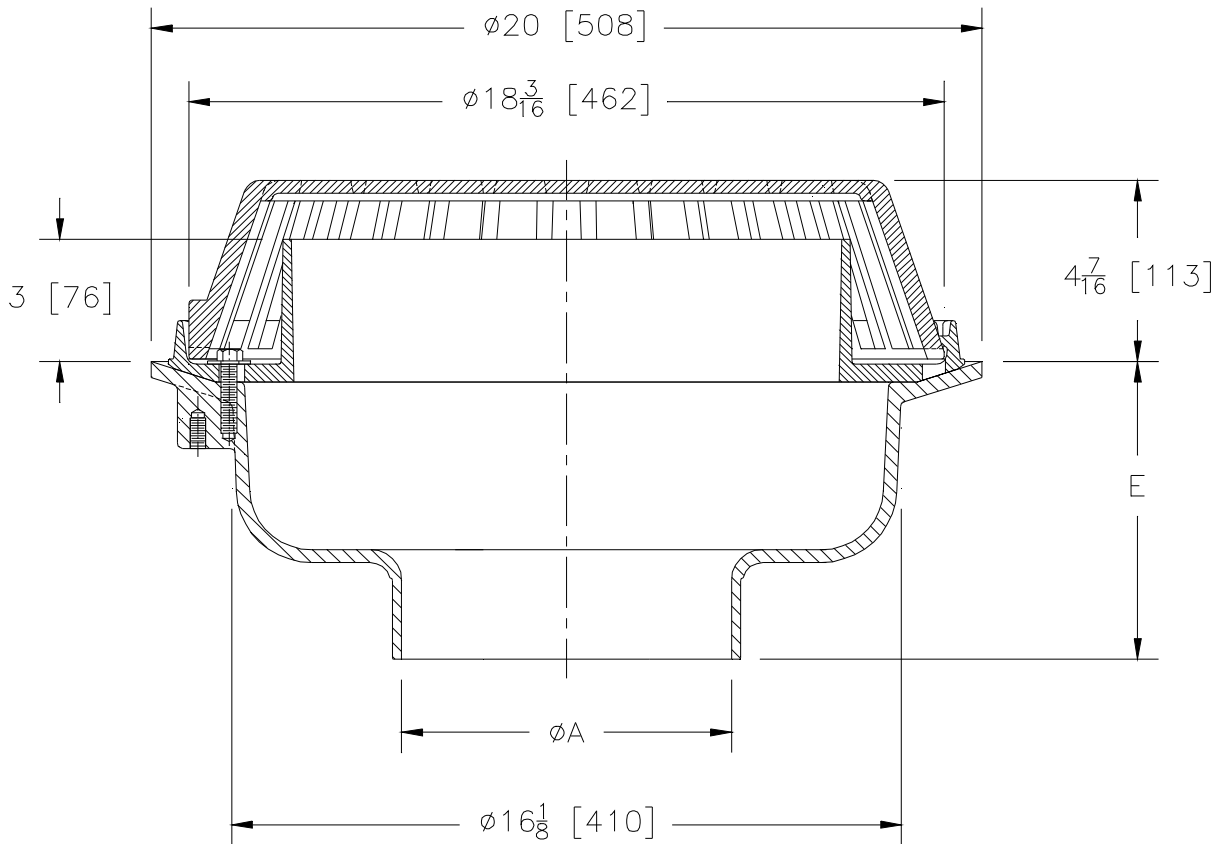
Z101-W3

20 [508] DIAMETER MAIN ROOF DRAIN
WITH 3 [76] INTERNAL WATER DAM

SPECIFICATION SHEET

TAG _____

Dimensional Data (inches and [mm]) are Subject to Manufacturing Tolerances and Change Without Notice



A- Pipe Size In. [mm]	Approx. Wt. Lbs. [kg]	Dome Open Area Sq. In. [cm ²]
8 [203]	87 [39]	216 [1394]
10 [254]	88 [40]	
12 [305]	89 [40]	

ENGINEERING SPECIFICATION: ZURN Z101-W3
20" [508mm] Diameter roof drain. Dura-Coated cast iron body with combination membrane flashing clamp/gravel guard, 3" [76mm] high internal water dam and low silhouette dome.

PIPE SIZE (Specify size/type) **OUTLET** **E BODY HT. DIM.**
8, 10, 12 [203, 254, 305] _____ NH No-Hub 7-5/16 [185]

PREFIXES
_____ Z D.C.C.I. Body with Cast Iron Dome*

SUFFIXES
 _____ -AR Acid Resistant Epoxy Coated
 _____ -C Underdeck Clamp
 _____ -DP Top-Set® Deck Plate (Replaces both the -C and -R)
 _____ -E Static Extension 1 [25] thru 4 [102] (Specify Height)
 _____ -EB Top-Set® Adjustable Extension Assembly
 _____ -G Galvanized Cast Iron
 _____ -R Roof Sump Receiver

* Regularly furnished unless otherwise specified.

Zurn Industries, LLC | Specification Drainage Operation
1801 Pittsburgh Avenue, Erie, PA U.S.A. 16502 · Ph. 855-663-9876, Fax 814-454-7929
In Canada | Zurn Industries Limited
3544 Nashua Drive, Mississauga, Ontario L4V 1L2 · Ph. 905-405-8272, Fax 905-405-1292
www.zurn.com

Rev. A
Date: 09/29/2017
C.N. No. 138125
Prod. | Dwg. No. Z101-W3