



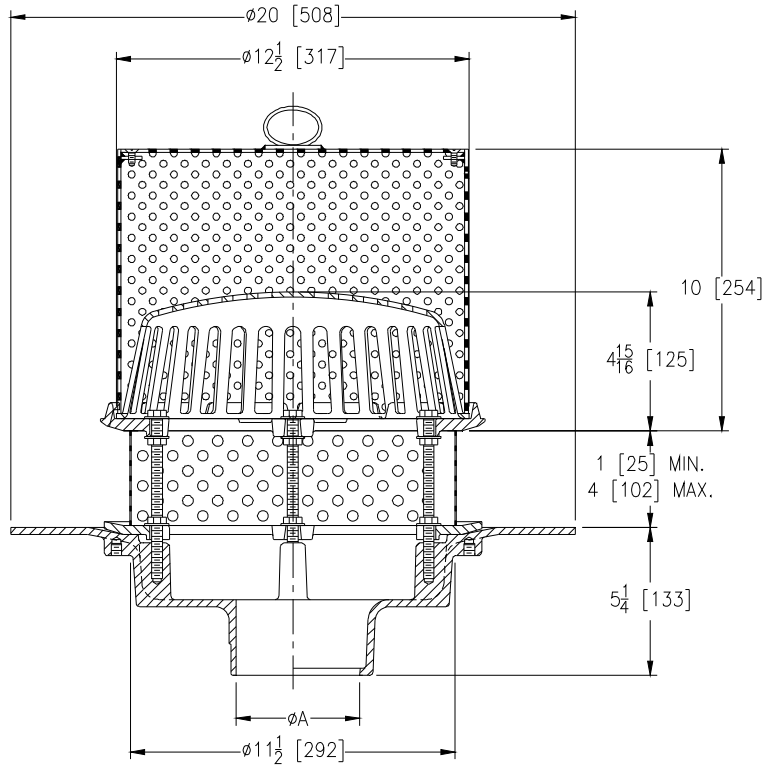
Z107-102

20 [508] DIAMETER WIDE DECK FLANGE ROOF DRAIN W/ PERFORATED GRAVEL GUARD, LIFT RING AND PERFORATED EXTENSION

SPECIFICATION SHEET

TAG _____

Dimensional Data (inches and [mm]) are Subject to Manufacturing Tolerances and Change Without Notice



A Pipe Size In.	Approx. Wt. Lbs. [kg]	Dome Open Area Sq. In. [cm ²]
3-4 [76-102]	42 [19]	103 [665]
6-8 [152-203]	42 [19]	

ENGINEERING SPECIFICATION: ZURN Z107-102

20 [508] Diameter wide deck flange roof drain. Dura-Coated cast iron body with combination membrane flashing clamp/gravel guard, perforated stainless steel gravel guard with secured cover, lift ring, perforated extension with clamp collar and low silhouette Poly-Dome strainer.

OPTIONS (Check/specify appropriate options)

PIPE SIZE

3,4,6 [76,102,152]
3,4,6,8 [76,102,152,203]

(Specify size/type) OUTLET

_____ IC Inside Caulk
_____ NH No-Hub

BODY HT. DIM.

5 1/4 [133]
5 1/4 [133]

PREFIXES

_____ Z D.C.C.I. Body with Poly-Dome*
_____ ZA D.C.C.I. Body with Aluminum Dome
_____ ZC D.C.C.I. Body with Cast Iron Dome
_____ ZRB D.C.C.I. Body with Plain Bronze Dome

SUFFIXES

_____ -AC	Angular Underdeck Clamp	_____ -VP	Vandal-Proof Secured Top
_____ -AR	Acid Resistant Epoxy Coated	_____ -W2	2 [51] Internal Water Dam
_____ -C	Underdeck Clamp	_____ -W3	3 [76] Internal Water Dam
_____ -E	Static Extension 1 [25] thru 4 [102] (Specify Ht.)	_____ -W4	4 [102] Internal Water Dam
_____ -EA	Adjustable Extension Assembly 2 1/8 [54] thru 3 1/2 [89]	_____ -XJ	Vertical Expansion Joint (See Z190)
_____ -G	Galvanized Cast Iron	_____ -89	2 [51] High External Water Dam
_____ -GD	Galvanized Cast Iron Dome (ZC only)		
_____ -HD	6 3/4 [171] High Aluminum Dome (148 sq. in. [955 cm ²] open area)		

REV. DATE: 8/4/09 C.N. NO. 110029

DWG. NO. P-15740 PRODUCT NO. Z107-102

*REGULARLY FURNISHED UNLESS OTHERWISE SPECIFIED

ZURN INDUSTRIES, LLC ♦ SPECIFICATION DRAINAGE OPERATION ♦ 1801 Pittsburgh Ave. ♦ Erie, PA 16514

Phone: 814/455-0921 ♦ Fax: 814/454-7929 ♦ World Wide Web: www.zurn.com

In Canada: ZURN INDUSTRIES LIMITED ♦ 3544 Nashua Drive ♦ Mississauga, Ontario L4V1L2 ♦ Phone: 905/405-8272 Fax: 905/405-1292