



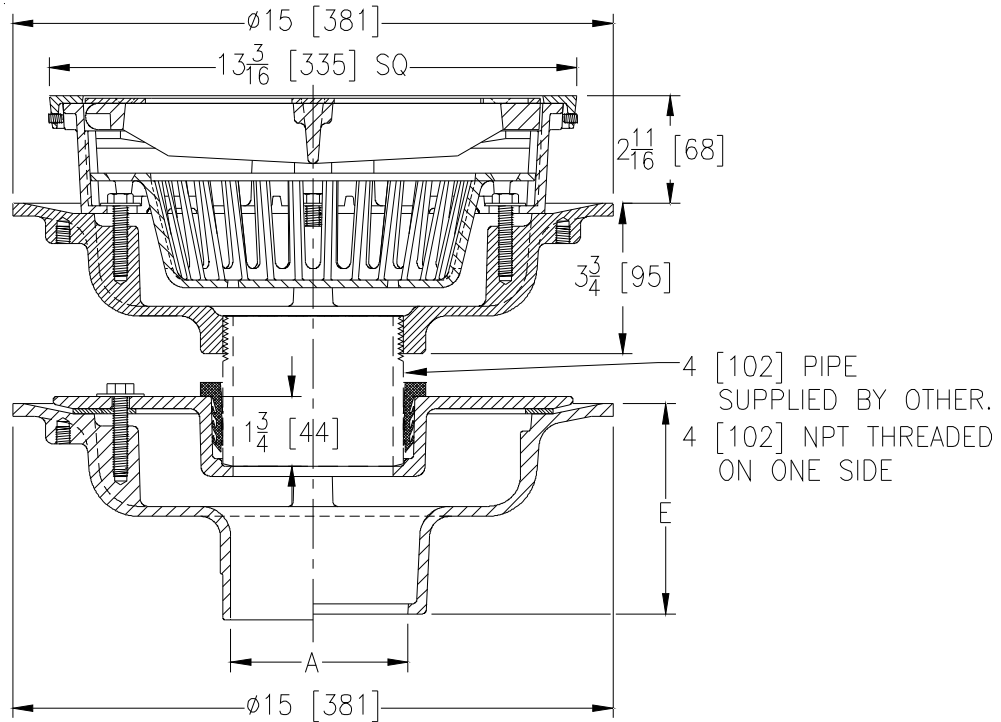
# Z610-132

## 12 [305] HEAVY-DUTY DRAIN W/ ISOLATION DECK DRAIN & HEEL-PROOF VENEER

SPECIFICATION SHEET

TAG \_\_\_\_\_

Dimensional Data (inches and [ mm ]) are Subject to Manufacturing Tolerances and Change Without Notice



A Pipe Size	Approx. Wt. Lbs. [kg]	Grate Open Area Sq. In. [cm <sup>2</sup> ]
2-3-4-5-6 [51-76-102-127-152]	84 [38]	21 [135]
8-10 [203-254]	86 [39]	

### ENGINEERING SPECIFICATION: ZURN Z610-132

12" [305mm] Square top drain, Dura-Coated cast iron body with bottom outlet, seepage pan and combination membrane flashing clamp and frame for heavy-duty cast iron vandal-proof, slotted grate, with suspended polypropylene sediment bucket, heel-proof veneer cover and isolation deck drain.

### OPTIONS (Check/specify appropriate options)

#### PIPE SIZE

2-3-4-5-6-8-10 [51-76-102-127-152-203-254]  
 2-3-4-6 [51-76-102-152]  
 2-3-4-5-6-8-10 [51-76-102-127-152-203-254]  
 2-3-4-5-6-8-10 [51-76-102-127-152-203-254]  
 2-3-4 [51-76-102]

#### (Specify size/type) OUTLET

\_\_\_ IC Inside Caulk  
 \_\_\_ IG Inside Gasket  
 \_\_\_ IP Threaded  
 \_\_\_ NH No-Hub  
 \_\_\_ NL Neo-Loc

#### 'E' BODY HT. DIM.

5-1/4 [133]  
 5-1/4 [133]  
 3-3/4 [95]  
 5-1/4 [133]  
 4-5/8 [117]

#### PREFIXES

\_\_\_ ZB D.C.C.I Body w/Polished Bronze Top\*  
 \_\_\_ ZN D.C.C.I Body w/Polished Nickel Bronze Top

#### SUFFIXES

___ -AR Acid Resistant Epoxy Coated Cast Iron	___ -LY (Less) Sediment Bucket
___ -C Underdeck Clamp (Lower Body)	___ -P Trap Primer Connection
___ -DG Duresist Grate	___ -S Secondary Strainer
___ -DX Dex-o-tex Flange (ZB, ZN Only)	___ -R Sump Receiver (Lower Body)
___ -F 2 [51] High Extension	___ -SS Stainless Steel Mesh Liner for Bucket
___ -G Galvanized Cast Iron	___ -TS Top Secured with Slotted Screws
___ -H Hinged Grate	___ -V Backwater Valve (See Z1099)
___ -HL Hinged Locking Grate	___ -YA Aluminum Sediment Bucket
	___ -YC Cast Iron Sediment Bucket

\* Regularly furnished unless otherwise specified.