



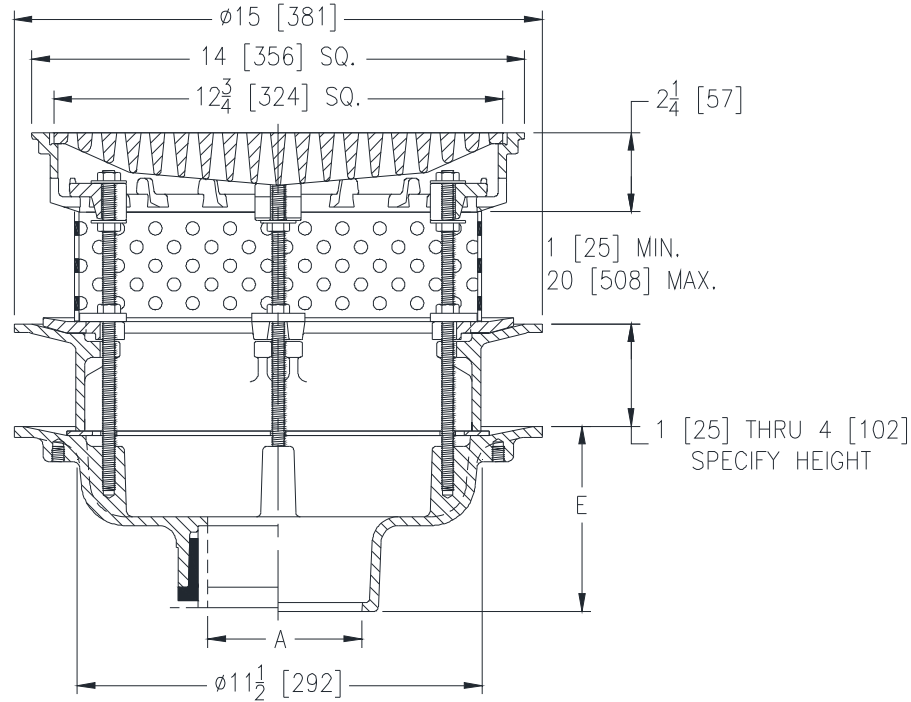
# Z150-E-85

14 [356] SQUARE TOP PROM-DECK DRAIN W/ STATIC  
EXTENSION, STAINLESS STEEL PERFORATED EXTENSION,  
HEEL PROOF GRATE, AND ROTATABLE FRAME

SPECIFICATION SHEET

TAG \_\_\_\_\_

Dimensional Data (inches and [ mm ]) are Subject to Manufacturing Tolerances and Change Without Notice



A Pipe Size in [mm]	Approx Wt. lbs [kg]	Grate Open Area in <sup>2</sup> [cm <sup>2</sup> ]
2,3,4 [51,76,102]	56 [25]	44 [284]
6 [152]		
8 [203]	57 [26]	

### ENGINEERING SPECIFICATION: ZURN Z150-E-85

14" [356mm] Square top Prom-Deck drain, Dura-Coated cast iron body, static extension, secondary clamp collar, rotatable square promenade frame, frame clamps, heel proof grate, and stainless steel perforated extension.

### OPTIONS (Check/specify appropriate options)

#### PIPE SIZE

2,3,4,6 [51,76,102,152]  
2,3,4,6, 8 [51,76,102,152,203]  
2,3,4,6, 8 [51,76,102,152,203]  
2,3,4 [51,76,102]

#### (Specify size/type) OUTLET

\_\_\_\_\_ IC Inside Caulk  
\_\_\_\_\_ IP Threaded  
\_\_\_\_\_ NH No-Hub  
\_\_\_\_\_ NL Neo-Loc

#### E BODY HT. DIM.

5-1/4 [133]  
3-3/4 [95]  
5-1/4 [133]  
4-5/8 [117]

#### PREFIXES

\_\_\_\_\_ Z D.C.C.I. Body with Top\*  
\_\_\_\_\_ ZB D.C.C.I. Body with Polished Bronze Top (Add 3/16 [5] to 2 [51] Dim & 3/8 [10] to 14 [356] Dim.)  
\_\_\_\_\_ ZN D.C.C.I. Body with Polished Nickel Bronze Top (Add 3/16 [5] to 2 [51] Dim & 3/8 [10] to 14 [356] Dim.)

#### SUFFIXES

_____ -AR Acid Resistant Epoxy Coated	_____ -EB Top-Set® Adjustable Extension Assembly
_____ -C Underdeck Clamp	_____ -G Galvanized Cast Iron
_____ -DE Deck Extension (Includes Deck Plate -DP)	_____ -R Roof Sump Receiver
_____ -DG Duresist Grate	_____ -S Secondary Strainer
_____ -DP Top-Set® Roof Deck Plate (Replaces both -C and -R)	_____ -TC Neo-Loc Test Cap Gasket (2,3,4 [51,76,102] NL Bottom Outlet Only)
_____ -DR Top-Set® Drain Riser	_____ -TS Top Secured with Slotted Screws
_____ -DT Decorative Polished Top (ZN and ZB Only)	_____ -VP Vandal Proof Secured Top
_____ -EA Adjustable Extension Assembly 2-1/8 [54] thru 3-1/2 [89]	_____ -XJ Vertical Expansion Joint (See Z190)
	_____ -Y Sediment Bucket
	_____ -90 90° Threaded Side Outlet Body

\* Regularly furnished unless otherwise specified.