



# Z1240-EZR-D

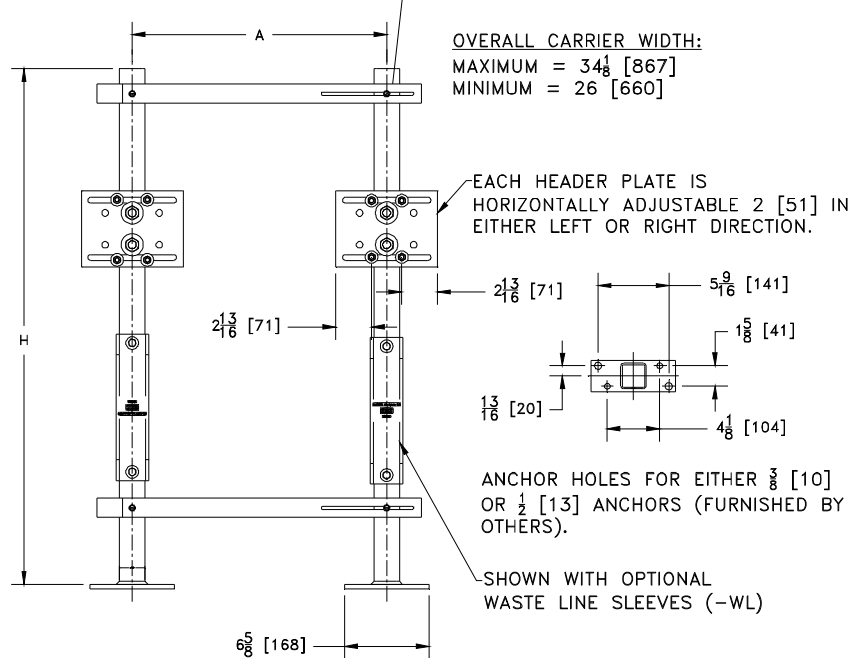
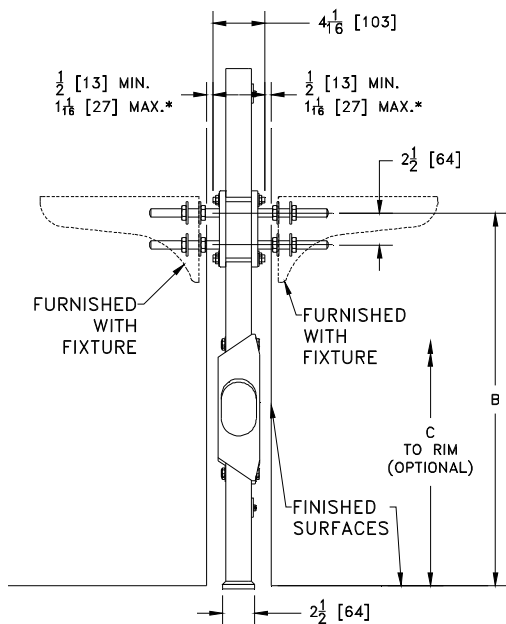
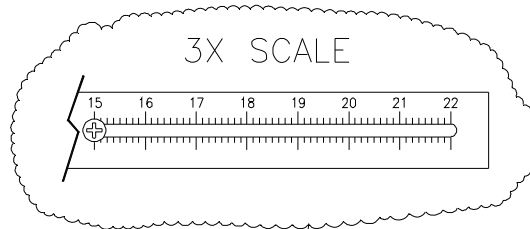
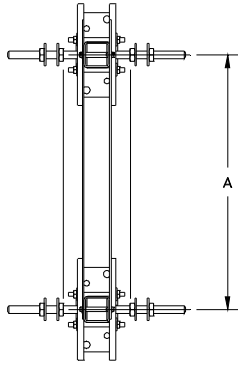
EXPOSED ARM CARRIER SYSTEM FOR BACK TO BACK  
SUNDARA™ DRIFT AND REEF LAVATORY WITH  
ADJUSTABLE UPRIGHTS AND HEADER PLATES

SPECIFICATION SHEET

TAG \_\_\_\_\_

Dimensional Data (inches and [ mm ]) are Subject to Manufacturing Tolerances and Change Without Notice

Zurn Co. Reference		Dimensions in Inches [mm]			
Name	Catalog No.	A	B	C	H
Solid Surface Lavatory - Reef	Z5001.02.01	20 [508]	28-15/16 [735]	34 [610]	42 [1067]
Solid Surface Lavatory - Drift	Z5003.02.01	20 [508]	28-15/16 [735]	34 [610]	42 [1067]



## Engineering Specification: ZURN Z1240-EZR-D

Back to back wall hung lavatory support system complete with Dura-Coated upright supports made from structural carbon-steel square tubing, conforming to ASTM A500 Grade C standards, with welded steel plate mounting feet featuring separate bolt patterns for using either 3/8" [10 mm] or 1/2" [13 mm] anchors, both meeting OSHPD spacing requirements. Includes lower and upper EZ-installation plates marked with an indexed ruler guide for accurate adjustability of upright spacing, from 15" [381 mm] to 22" [560 mm]. Individual slotted header plates provide 2" [51 mm] of additional horizontal adjustment per plate allowing for a total horizontal adjustment range of 11" [279 mm] to 26" [660 mm]. Uprights, EZ-installation plates, and header plates are all factory assembled for easy installation. Carrier system exceeds load and deflection requirements when tested in accordance to ASME Standard A112.6.1M to any adjustment position.

\* Regularly furnished unless otherwise specified.

Zurn Industries, LLC | Specification Drainage Operation  
1801 Pittsburgh Avenue, Erie, PA U.S.A. 16502 · Ph. 855-663-9876, Fax 814-454-7929  
In Canada | Zurn Industries Limited  
3544 Nashua Drive, Mississauga, Ontario L4V 1L2 · Ph. 905-405-8272, Fax 905-405-1292  
[www.zurn.com](http://www.zurn.com)

Rev. -  
Date: 8/8/2018  
C.N. No. 140387  
Prod. | Dwg. No. Z1240-EZR-D