



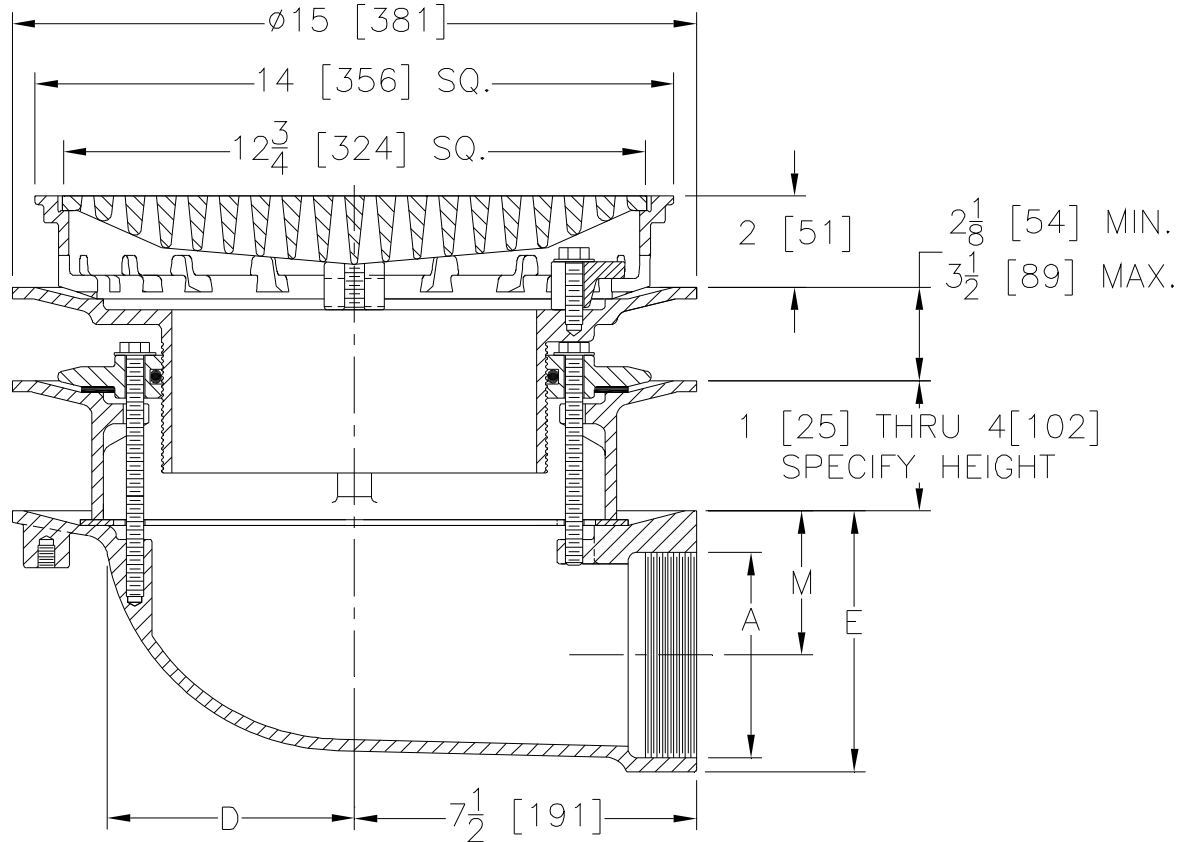
Z150-E-EA-90

14 [356] SQUARE TOP LATERAL PROM-DECK DRAIN W/
 STATIC EXTENSION, ADJUSTABLE EXTENSION, HEEL
 PROOF GRATE, AND ROTATABLE FRAME

SPECIFICATION SHEET

TAG _____

Dimensional Data (inches and [mm]) are Subject to Manufacturing Tolerances and Change Without Notice



Dimensions in inches [mm]			Approx Wt. lbs [kg]	Grate Open Area in ² [cm ²]
A Pipe Size	D	M		
2 [51]	5-1/2 [140]	4-1/4 [108]	65 [29]	44 [284]
3 [76]		3-3/4 [95]		
4 [102]		3-1/4 [83]		
6 [152]	5-7/8 [149]	4-1/4 [108]	68 [31]	

ENGINEERING SPECIFICATION: ZURN Z150-E-EA-90
 14" [356mm] Square top lateral Prom-Deck drain,
 Dura-Coated cast iron body with side outlet, rotatable square
 promenade frame with seepage openings, frame clamps,
 heavy-duty heel proof grate, static extension, and adjustable
 extension with secondary clamp collar and o-ring.

OPTIONS (Check/specify appropriate options)

PIPE SIZE

2,3,4 [51,76,102]
 6 [152]

(Specify size/type) **OUTLET**

_____ IP Threaded
 _____ IP Threaded

E BODY HT. DIM.

5-3/4 [146]
 7-7/8 [200]

PREFIXES

- _____ Z D.C.C.I. Body with Top*
- _____ ZB D.C.C.I. Body with Polished Bronze Top (Add 3/16 [5] to 2 [51] Dim & 3/8 [10] to 14 [356] Dim.)
- _____ ZN D.C.C.I. Body with Polished Nickel Bronze Top (Add 3/16 [5] to 2 [51] Dim & 3/8 [10] to 14 [356] Dim.)

SUFFIXES

- _____ -AR Acid Resistant Epoxy Coated
- _____ -C Underdeck Clamp
- _____ -DG Duresist Grate
- _____ -DP Top-Set® Roof Deck Plate (Replaces both -C and -R)
- _____ -DT Decorative Polished Top (ZN and ZB Only)
- _____ -G Galvanized Cast Iron
- _____ -R Roof Sump Receiver
- _____ -TS Top Secured with Slotted Screws
- _____ -VP Vandal Proof Secured Top
- _____ -Y Sediment Bucket
- _____ -85 Stainless Steel Perforated Extension

* Regularly furnished unless otherwise specified.