



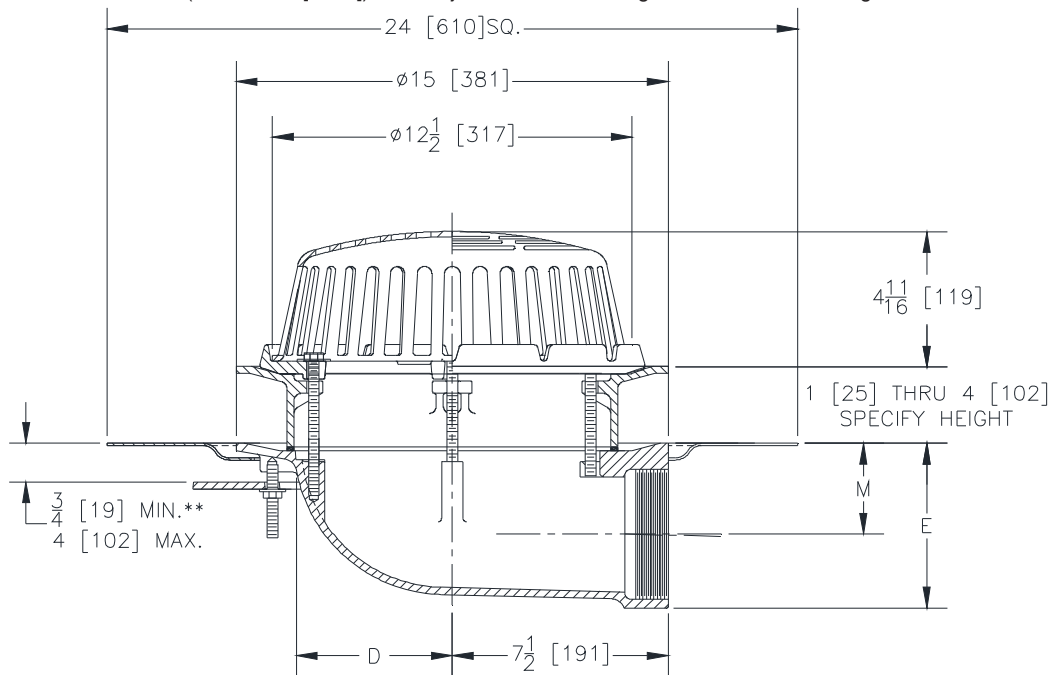
# Z100-C-E-R-90

15 [381] DIAMETER ROOF DRAIN W/ UNDERDECK CLAMP, ROOF SUMP RECEIVER, STATIC EXTENSION AND 90° SIDE OUTLET

SPECIFICATION SHEET

TAG \_\_\_\_\_

Dimensional Data (inches and [ mm ]) are Subject to Manufacturing Tolerances and Change Without Notice



Dimensions in Inches [mm]			Approx Wt. Lbs [kg]	Dome Open Area In <sup>2</sup> [cm <sup>2</sup> ]
A Pipe Size	M	D		
2 [51]	5-1/2 [140]	4-1/4 [108]	26 [12]	103 [665]
3 [76]		3-3/4 [95]	27 [12]	
4 [102]		3-1/4 [83]	28 [13]	
6 [152]	5-7/8 [149]	4-1/4 [180]	32 [16]	

**ENGINEERING SPECIFICATION: ZURN Z100-C-E-R-90**  
 15" [381mm] Diameter roof drain. Dura-Coated cast iron 90° threaded side outlet body with combination membrane flashing clamp/gravel guard, static extension, roof sump receiver, underdeck clamp and low silhouette Poly-Dome.

**OPTIONS** (Check/specify appropriate options)

**PIPE SIZE**

2,3,4,[51,76,102]  
 6 [152]

(Specify size/type) **OUTLET**

\_\_\_\_\_ IP Threaded  
 \_\_\_\_\_ IP Threaded

**'E' BODY HT. DIM.**

5-3/4 [146]  
 7-7/8 [200]

**PREFIXES**

- \_\_\_ Z D.C.C.I. Body with Poly-Dome\*
- \_\_\_ ZA D.C.C.I. Body with Aluminum Dome
- \_\_\_ ZC D.C.C.I. Body with Cast Iron Dome
- \_\_\_ ZRB D.C.C.I. Body with Plain Bronze Dome

**SUFFIXES**

- \_\_\_ -AR Acid Resistant Epoxy Coated Finish
- \_\_\_ -AW 3/4 [19] to 4 [102] Adjustable Water Level Regulator (Specify Height) (ZC Only)
- \_\_\_ -EA Adjustable Extension Assembly 2-1/8 [54] thru 3-1/2 [89]
- \_\_\_ -FG Flush Grate
- \_\_\_ -G Galvanized Cast Iron (ZC only)
- \_\_\_ -HD 6-3/4 [171] High Aluminum Dome (148 sq. in. [955 cm<sup>2</sup>] open area)
- \_\_\_ -SC Secondary Clamping Collar
- \_\_\_ -SS Stainless Steel Mesh Screen Over Dome
- \_\_\_ -ST Dome w/ Solid Top (ZA and ZC Only)
- \_\_\_ -VP Vandal Proof Secured Top
- \_\_\_ -W2 2 [51] Internal Water Dam
- \_\_\_ -W3 3 [76] Internal Water Dam
- \_\_\_ -W4 4 [102] Internal Water Dam
- \_\_\_ -84 Stainless Steel Perforated Gravel Guard
- \_\_\_ -85 Stainless Steel Perforated Extension
- \_\_\_ -89 2 [51] High External Water Dam

\* Regularly furnished unless otherwise specified.