



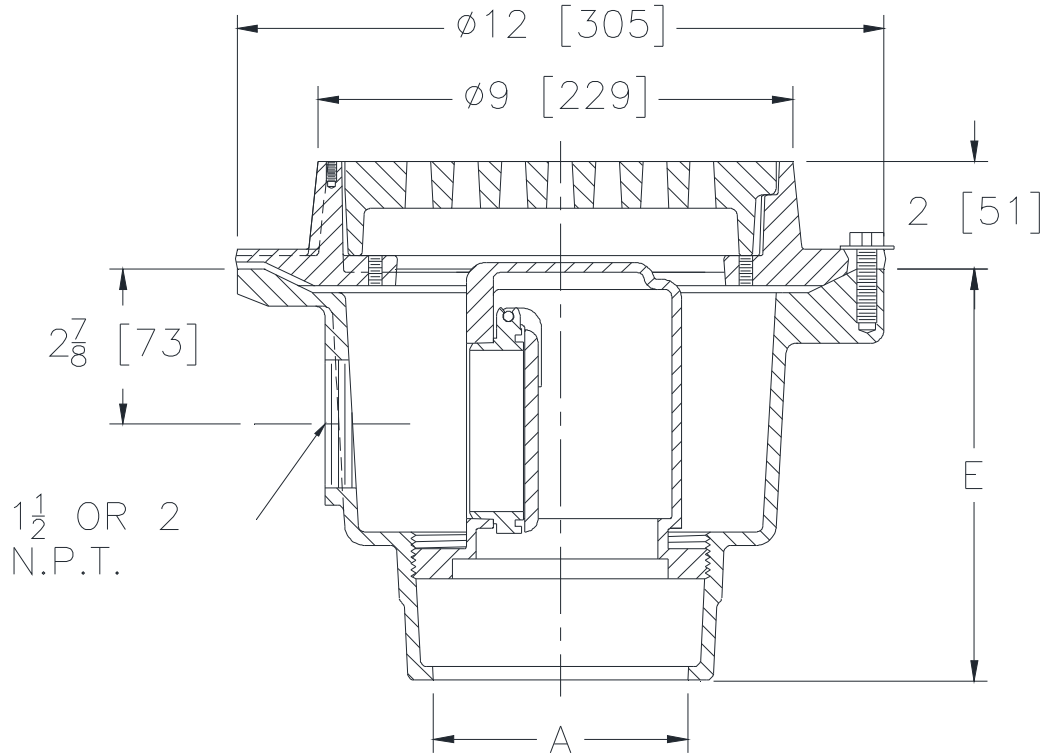
Z511J-V

9 [229] DIAMETER HEAVY DUTY DRAIN W/ AUXILIARY INLET CONNECTION & BACKWATER VALVE

SPECIFICATION SHEET

TAG _____

Dimensional Data (inches and [mm]) are Subject to Manufacturing Tolerances and Change Without Notice



A Pipe Size In [mm]	Approx. Wt. Lbs. [kg]	Grate Open Area Sq. In. [cm ²]
3,4 [76,102]	49 [22]	18 [116]

ENGINEERING SPECIFICATION: ZURN Z511-J-V

9" [229mm] Diameter top drain, Dura-Coated cast iron deep sump body with bottom outlet, auxiliary inlet (Specify 1-1/2" or 2" N.P.T. , number & location) connection , seepage pan and combination membrane flashing clamp and frame for heavy duty cast iron deep flange grate with backwater valve.

OPTIONS (Check/specify appropriate options)

PIPE SIZE

3,4 [76,102]
3 [76]
3,4 [76,102]

(Specify size/type) OUTLET

___ IC Inside Caulk
___ IG Inside Caulk w/Sealtrol Gskt.
___ IP Threaded

'E' BODY HT. DIM.

7-5/8 [194]
7-5/8 [194]
7-5/8 [194]

PREFIXES

___ Z D.C.C.I. Body and Grate*
___ ZB D.C.C.I. Body with Polished Bronze Grate (Add 3/16 [5] to 2 [51] Dim. & 5/8 [16] to 9 [229] Dim.)
___ ZN D.C.C.I. Body with Polished Nickel Bronze Grate (Add 3/16 [5] to 2 [51] Dim. & 5/8 [16] to 9 [229] Dim.)

SUFFIXES

___ -AR Acid Resisting Epoxy Coated Coated Finish
___ -DG Duresist Grate
___ -F 2 [51] Extension Frame
___ -G Galvanized Cast Iron
___ -HP Heel-Proof Grate
___ -P Trap Primer Connection
___ -SC Solid Cover w/ Lift Handle
___ -SG Solid Gasketed Cover
___ -TS Top Secured with Slotted Screws
___ -VP Vandal Proof Secured Top

* Regularly furnished unless otherwise specified.