



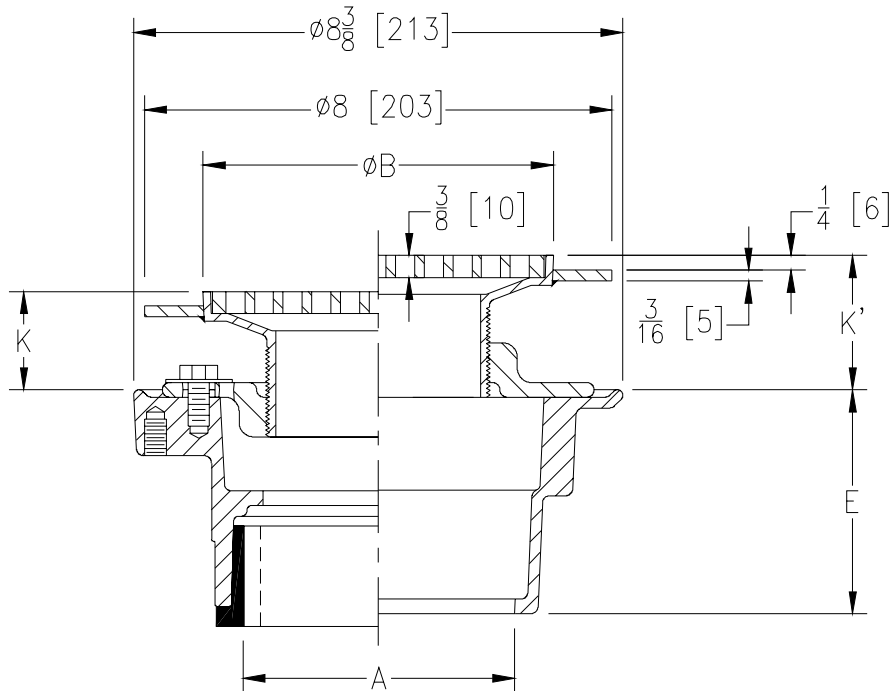
Z415B-105

BODY ASSEMBLY W/ "TYPE B" STRAINER HEAVY-DUTY SLOTTED GRATE & ANCHOR FLANGE

SPECIFICATION SHEET

TAG _____

Dimensional Data (inches and [mm]) are Subject to Manufacturing Tolerances and Change Without Notice



Dimensions In Inches						Approx. Wt. Lbs. [kg]	Strainer Open Area Sq. In. [cm ²]
A - Pipe Size	B - Top Size	K		K'			
		Min.	Max.	Min.	Max.		
2-3-4 [51-76-102]	6 [152]	3/4 [19]	1 3/4 [44]	1 5/8 [41]	2 3/4 [70]	13 [6]	9 [58]

ENGINEERING SPECIFICATION: ZURN ZN415B-105 Floor and shower drain. Dura-Coated cast iron body with bottom outlet, combination invertible membrane clamp, adjustable collar, bronze frame with anchor flange, and "TYPE B" heavy duty nickel bronze strainer.

OPTIONS (Check/specify appropriate options)

PIPE SIZE	(Specify size/type)	OUTLET	'E' BODY HT. DIM.
2 thru 4 [51 thru 102]	_____	IC Inside Caulk	3 7/8 [98]
2 [51]	_____	IP Threaded	2 3/8 [60]
3 [76]	_____	IP Threaded	2 5/8 [67]
4 [102]	_____	IP Threaded	2 7/8 [73]
2 thru 4 [51 thru 102]	_____	NH No-Hub	3 7/8 [98]
2 thru 4 [51 thru 102]	_____	NL Neo-Loc	4 5/8 [117]

PREFIXES

- _____ ZB D.C.C.I. Body Assembly w/Polished Bronze Top
- _____ ZN D.C.C.I. Body Assembly w/Polished Nickel Bronze Top*

SUFFIXES

- _____ -AA All Acid Resisting Epoxy
- _____ -AR Acid Resisting Epoxy Coated Cast Iron
- _____ -G Galvanized Cast Iron
- _____ -P Trap Primer Connection (Specify 1/2 [13] or 3/4 [19])
- _____ -TC Neo-Loc Test Cap Gasket (2 - 4 [51 - 102] NL Bottom Outlet Only)
- _____ -U 1 - 3 [25 - 76] High Extension Adapter
- _____ -V Backwater Valve
- _____ -VP Vandal-Proof Secured Top
- _____ -W Winter Closure Plug
- _____ -Y Sediment Bucket
- _____ -4 4 [102] Diameter Funnel (Z328)
- _____ -90 2 or 3 [51 or 76] Side Outlet Body Assembly

REV.	DATE: 10/31/05	C.N. NO. 94080
DWG. NO. P-15220 PRODUCT NO. Z415B-105		

*REGULARLY FURNISHED UNLESS OTHERWISE SPECIFIED