



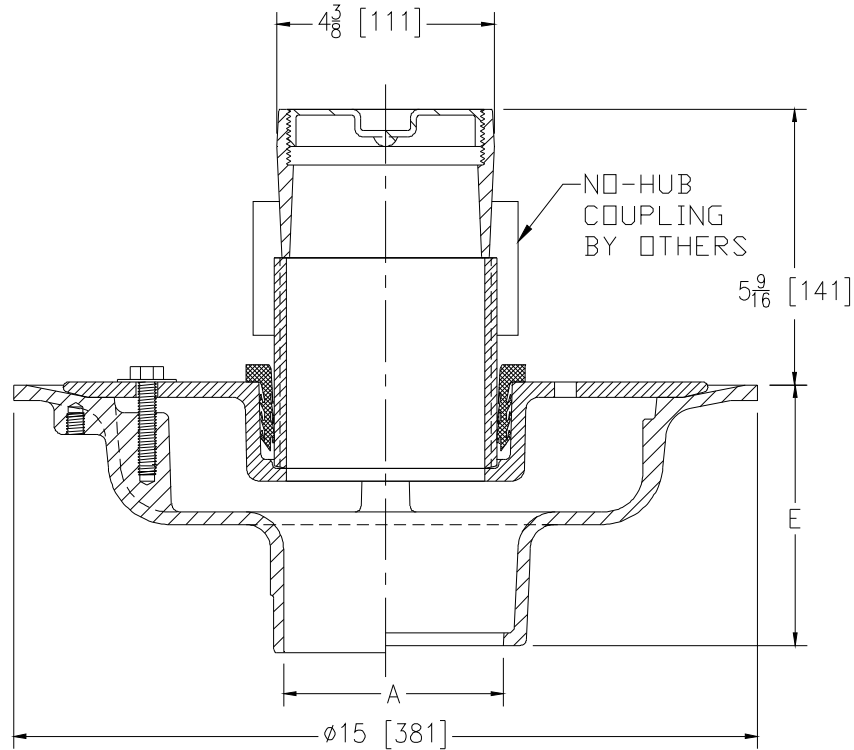
Z626-80

NON-ADJUSTABLE CLEANOUT FERRULE WITH PLUG

SPECIFICATION SHEET

TAG _____

Dimensional Data (inches and [mm]) are Subject to Manufacturing Tolerances and Change Without Notice



A - Pipe Size Inches [mm]	Approx. Wt. Lbs.[kg]
2,3,4 [51,76,102]	44 [20]
6 [152]	

ENGINEERING SPECIFICATION: ZURN Z626-80

Non-Adjustable isolation deck cleanout, Dura-Coated cast iron upper and lower bodies, clamp collar with weep holes, neoprene flex gasket, with gas and watertight ABS tapered threaded plug.

OPTIONS (Check/specify appropriate options)

PIPE SIZE

2,3,4,6 [51,76,102,152]
2,3,4,6 [51,76,102,152]

(Specify size/type) **OUTLET**

___ NH No-Hub
___ NL Neo-Loc

'E' BODY HT. DIM.

5-1/4 [133]
4-5/8 [117]

PREFIXES

___ Z Dura-Coated Cast Iron Body and ABS Plug*

SUFFIXES

- ___ -C Underdeck Clamp (Lower Body)
- ___ -G Galvanized Cast Iron
- ___ -LH Less Weep Holes in Clamp Collar
- ___ -PC Protective Cover
- ___ -R Sump Receiver (Lower Body)
- ___ -VP Vandal-Proof Secured Top

* Regularly furnished unless otherwise specified.