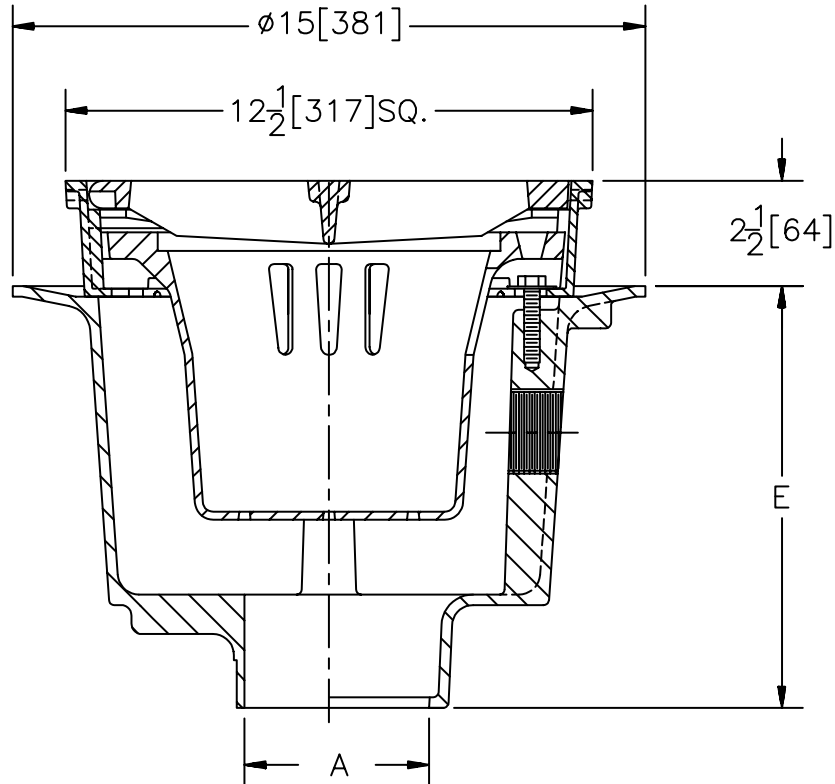




Z-539-77
12" HEAVY DUTY DRAIN WITH
DEEP SUMP AND TRAP PRIMER

TAG _____

Dimensional Data (inches and [mm]) are Subject to Manufacturing Tolerances and Change Without Notice



A- Pipe Size In.	Approx. Wt. Lbs.	Grate Open Area Sq. In. [cm ²]
3-4-5-6 [76-102-127-152]	68 [31kg]	40 [258]
8 [203]		

ENGINEERING SPECIFICATION: ZURN Z-539-77
 12" Square top drain. Dura-Coated cast iron deep sump body with bottom outlet, seepage pan and combination membrane flashing clamp and frame for sediment bucket and slotted duresist grate.

OPTIONS (Check/specify appropriate options)

OUTLET (Specify type)

- _____ **IC** Inside Caulk
- _____ **IG** Inside Caulk w/Sealtrol Gskt.
- _____ **NH** No-Hub

PIPE SIZE (Specify size)

- _____ 3[76] thru 6[152]
- _____ 3[76],4[102],6[152]
- _____ 3[76] thru 6[152],8[229]

'E' BODY HT. DIMENSION

- _____ 10[254]
- _____ 10[254]
- _____ 10[254]

PREFIXES

- _____ **Z-** D.C.C.I. Body and Grate*
- _____ **ZB-** D.C.C.I. Body with Polished Bronze Grate (Add 3/16" to 2-1/2" Dim.)
- _____ **ZN-** D.C.C.I. Body with Polished Nickel Bronze Grate (Add 3/16" to 2-1/2" Dim.)

SUFFIXES

- _____ **-FY** Free Standing Bucket
- _____ **-G** Galvanized Cast Iron
- _____ **-VP** Vandal Proof Secured Top
- _____ **-H** Hinged Grate
- _____ **-HL** Hinged Locking Grate

REV. _____ **DATE:** 08/14/95 **C.N. NO.** 72625

DWG. NO. P-14224 **PRODUCT NO.** Z-539-77

*REGULARLY FURNISHED UNLESS OTHERWISE SPECIFIED