



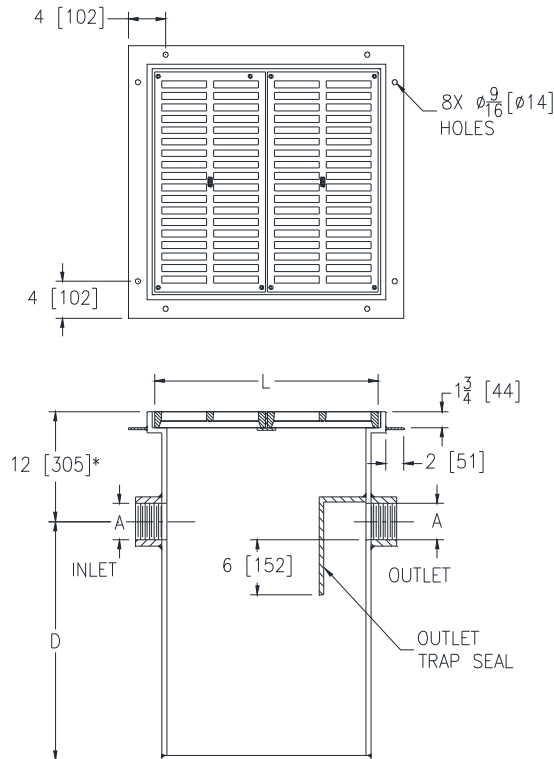
Z1187-SI-155

SAND INTERCEPTOR WITH ANCHOR FLANGE & 9/16 [14] HOLES

SPECIFICATION SHEET

TAG _____

Dimensional Data (inches and [mm]) are Subject to Manufacturing Tolerances and Change Without Notice



Size 20 Illustrated

Size	Flow Pipe Size (Max.)	A Pipe Size	L	D	Capacity Gal [L] (Static)	No. of 12 x 24 [305 x 610] Grates	Width	Approx. Wt. Lbs. [Kg.]
20	20 [76]	4 [102]	24 [610]	26 [660]	60 [227]	2	24 [610]	133 [60]
50	50 [189]	4 [102]	48 [1219]	26 [660]	120 [454]	4	24 [610]	204 [92]
150	150 [568]	4 [102]	48 [1219]	38 [965]	360 [1363]	8	48 [1219]	368 [167]
250	250 [946]	6 [152]	72 [1829]	39 [991]	540 [2044]	12	48 [1219]	1294 [587]
500	500 [1893]	6 [152]	120 [3058]	51 [1295]	1200 [4542]	20	48 [1219]	2204 [1000]

ENGINEERING SPECIFICATION: ZURN Z1187-SI-155

Acid Resistant Coated interior and exterior fabricated steel sand interceptor with threaded inlet/outlet and anchor flange with 9/16" [14mm] holes, complete with removable Heavy-Duty grates.

OPTIONS (Check/specify appropriate options)

PREFIXES

___ Z Acid Resistant Coated Fabricated Steel*

SUFFIXES

- ___ -E Integral Extension Assembly (Specify extension height)
- ___ -DG Duresist Grate
- ___ -NH No-Hub Inlet and Outlet (Z1040)
- ___ -SC Heavy-Duty Reinforced Cover(s) rated at 10,000lbs [4536 Kg] maximum safe live load
- ___ -VP Vandal-Proof Screws

* Regularly furnished unless otherwise specified.