



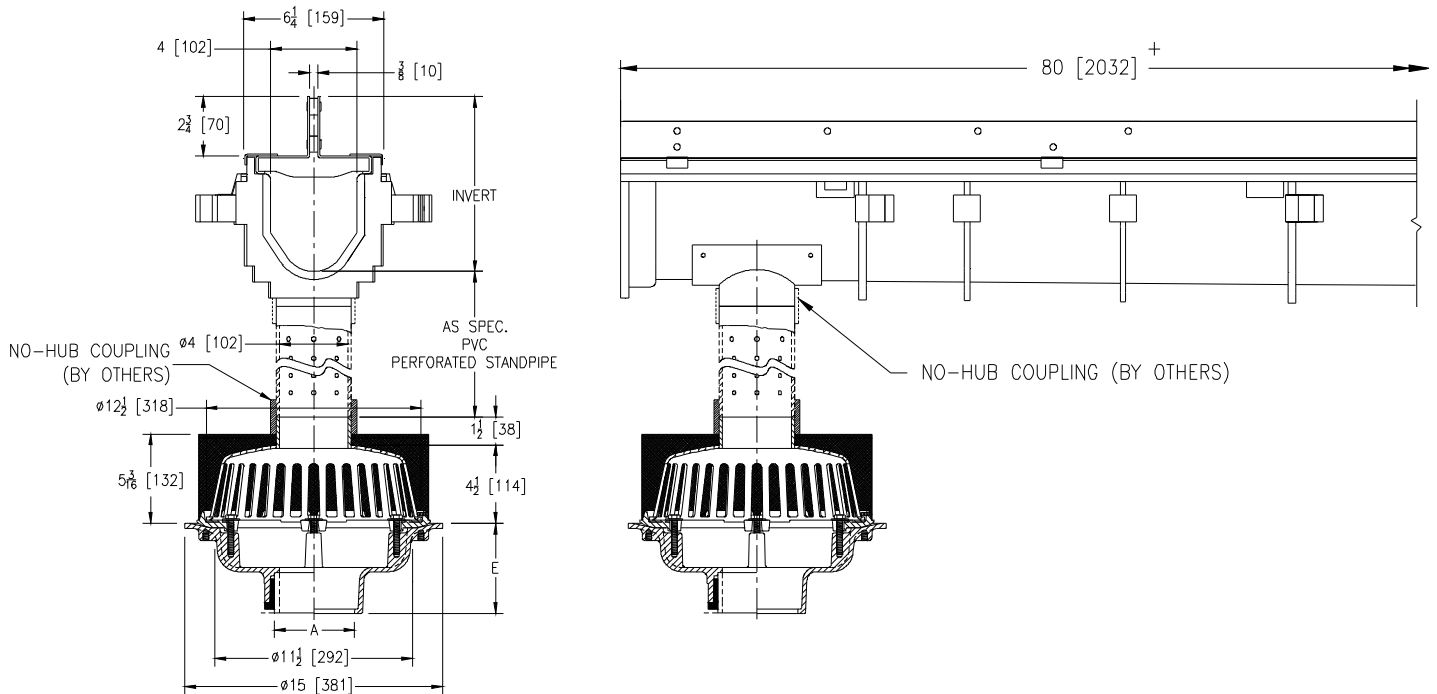
Z100-337

15 [381] DIAMETER ROOF DRAIN W/ SECURED DOME
W/ 4 [102] NO-HUB STANDPIPE, STAINLESS STEEL
MESH OVER DOME, AND Z886-PVSS UPPER DRAIN

SPECIFICATION SHEET

TAG _____

Dimensional Data (inches and [mm]) are Subject to Manufacturing Tolerances and Change Without Notice



A Pipe Size In. [mm]	Approx. Wt. Lbs. [kg]	Dome Open Areas Sq. In. [cm ²]	
2,3,4 [51,76,102]	26 [12]	Upper	Lower
5,6 [127,152]	27 [12]	20 [129]	103 [665]
8 [203]	28 [13]		

ENGINEERING SPECIFICATION: ZURN Z100-337

15" [381 mm] Diameter roof drain. Dura-Coated cast iron body with combination membrane flashing clamp/gravel guard, low silhouette secured dome with stainless steel mesh liner, 4" [102mm] PVC no-hub standpipe, and Z886-PVSS upper drain assembly.

OPTIONS (Check/specify appropriate options)

PIPE SIZE

- 2,3,4,6,8 [51,76,102,152,203]
- 2,3,4,6,8 [51,76,102,152,203]
- 2,3,4,6,8 [51,76,102,152,203]
- 2,3,4 [51,76,102]
- 6 [152]

(Specify size/type) OUTLET

- _____ IC Inside Caulk
- _____ IP Threaded
- _____ NH No-Hub
- _____ NL Neo-Loc
- _____ NL Neo-Loc

E BODY HT. DIM.

- 5-1/4 [133]
- 3-3/4 [95]
- 5-1/4 [133]
- 4-9/16 [116]
- 5-7/16 [112]

PREFIXES

- _____ ZRB D.C.C.I. Body with Plain Bronze Dome*
- _____ ZB D.C.C.I. Body with Polished Bronze Dome
- _____ ZN D.C.C.I. Body with Polished Nickel Bronze Dome

SUFFIXES

- | | |
|---|---|
| _____ -AC Angular Underdeck Clamp (Lower Body) | _____ -GD Galvanized Cast Iron Dome (Lower Dome) |
| _____ -AR Acid Resistant Epoxy Coated (Lower Body) | _____ -R Roof Sump Reciever |
| _____ -C Underdeck Clamp (Lower Body) | _____ -SA Stabilizer Assembly (see 1036) |
| _____ -DE Deck Extension (Lower Body) | _____ -SS Mesh Over Stand Pipe |
| _____ -DP Top-Set® Deck Plate (Replaces both the -C and -R) | _____ -TC Neo-Loc Test Cap Gasket
(2,3,4 [51,76,102] NL Bottom
Outlet Only) |
| _____ -DR Top-Set® Drain Riser | _____ -VP Vandal-Proof Secured Top |
| _____ -DX Dex-O-Tex Flange (Lower Body) | _____ -90 90° Threaded Side Outlet Body
(2,3,4,5,6 [51,76,102,127,152]) |
| _____ -E Static Extension 1 [25] thru 4 [102] (Specify Ht.)
(Lower Body) | |
| _____ -EB Top-Set® Adjustable Extension Assembly | |
| _____ -G Galvanized Cast Iron (Lower Body) | |

* Regularly furnished unless otherwise specified.