



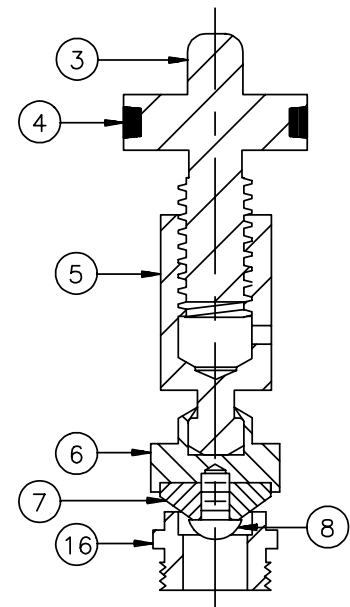
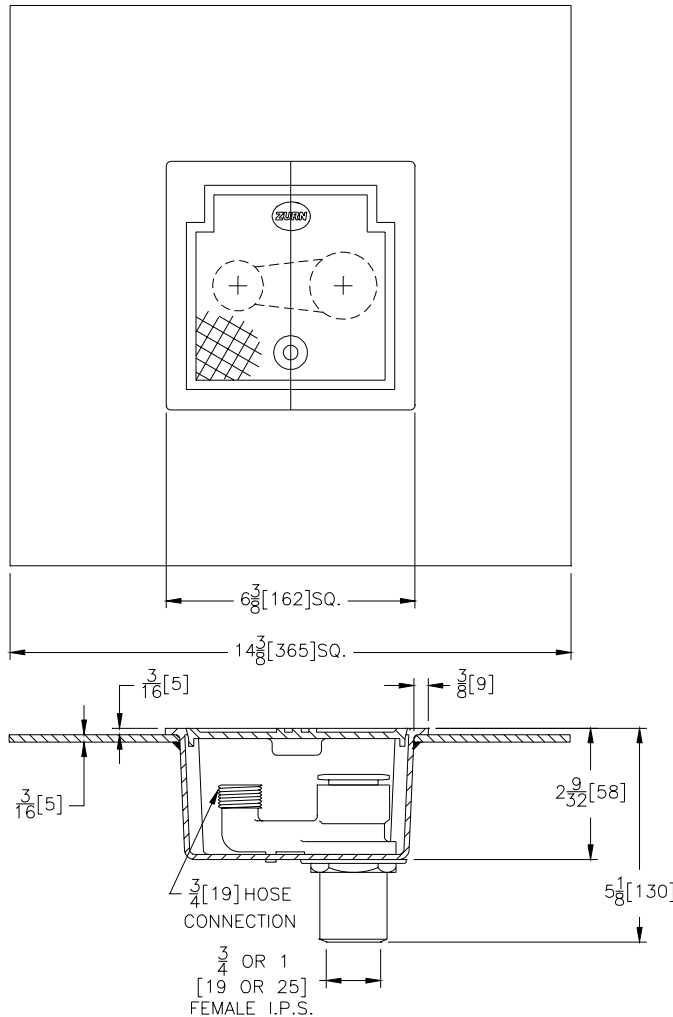
Z-1375-82

GROUND HYDRANT

Encased, Moderate Climate, Interior Use

TAG _____

Dimensional Data (inches and [mm]) are Subject to Manufacturing Tolerances and Change Without Notice



INTERNAL PARTS

Approx. Wt. Lbs. [kg]
8 [4]

ENGINEERING SPECIFICATION: ZURN Z-1375 Encased, moderate climate ground hydrant, for flush with grade or finished floor installation. Complete with all bronze interior parts, replaceable bronze seat and seat washer, and non-turning operating coupling with free-floating compression closure valve. Nickle Bronze, Dex-o-tex Flange and scoriated hinged cover with "WATER" cast on cover..

OPTIONS (Check/specify appropriate options)

SUFFIXES

- _____ -HD Heavy Duty Cover
- _____ -RK Hydrant Parts Repair Kit
- _____ -6 Polished Bronze Box
- _____ -7 Plain Bronze Box
- _____ -10 Polished Nickel Bronze Box
- _____ -17 1/4 [6] IP Drain Port in Box

PARTS LIST

<u>Item</u>	<u>Name</u>	<u>Quan.</u>
3	Operating Screw	1
4	O-Ring	1
5	Operating Coupling	1
6	Washer Guide	1
7	Washer	1
8	Screw	1
16	Removable Seat	1

REV. DATE: 11/12/96 C.N. NO. 76457

DWG. NO. P-14416 PRODUCT NO. Z-1375-82

*WHEN ORDERING REPLACEMENT PARTS SPECIFY Y DIM.