



ZEQ1203-N4-X

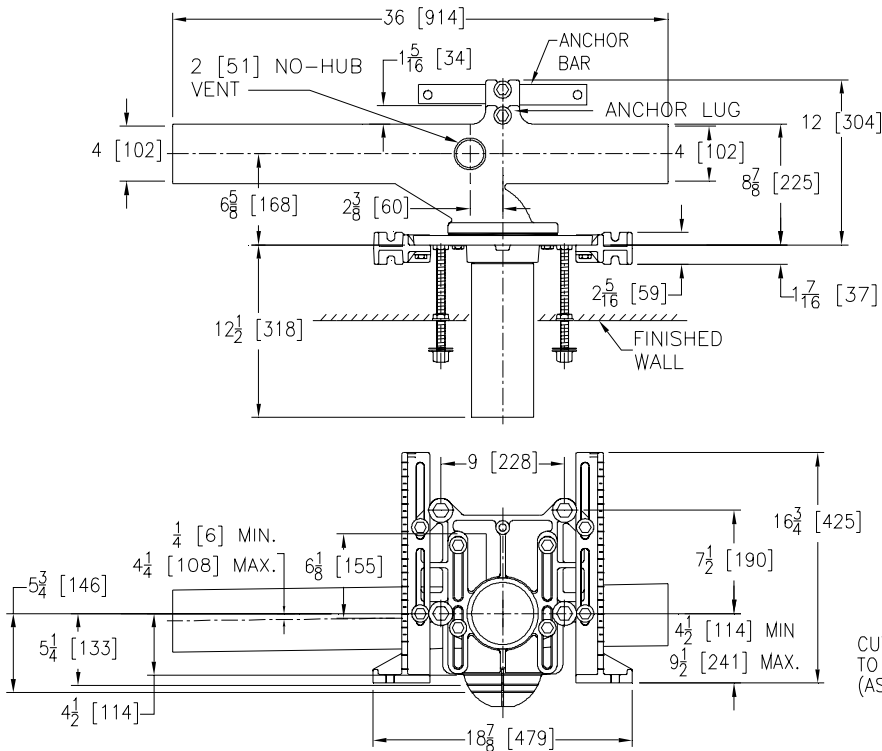
ADJUSTABLE HORIZONTAL SIPHON JET
500 LB. [227 KG] NO-HUB CARRIER W/ HEAVY-DUTY REAR
ANCHOR TIE DOWN AND N.P.T. FACEPLATE

SPECIFICATION SHEET

TAG _____

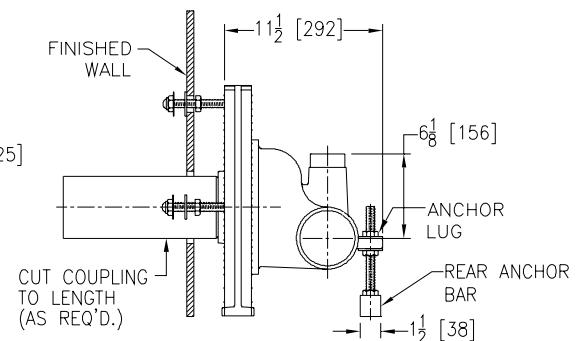
Dimensional Data (inches and [mm]) are Subject to Manufacturing Tolerances and Change Without Notice

Product No.	Approx. Wt. Lbs. [kg]
ZEQ1203-NL4-X	84 [38]
ZEQ1203-NR4-X	



Note:

1. Min. 'P' Dim. Obtainable=2 [51]
2. Feet bolted to floor using min. 1/2 [13] dia. bolts and back slots on carrier feet.
3. Rear anchor bar required for secure installation.



ENGINEERING SPECIFICATION: ZURN ZEQ1203-N()4-X Adjustable, horizontal siphon jet 500 lb [227 kg] water closet "Rigid System" with 4 [102] No-Hub connections. Complete with Dura-Coated cast iron right hand, left hand, or double main elongated fitting, with 2 [51] vent, adjustable N.P.T. faceplate, universal floor mounted foot supports, corrosion resistant non-adjustable ABS coupling with integral test cap, fixture bolts, trim, and stud protectors. Heavy-Duty rear anchor tie down and bonded "Neo-Seal" gasket.

PRODUCT/DEFINITION

ZEQ1203-NR4-X 4 [102] No-Hub Right Hand Inlet with Flow to Left
ZEQ1203-NL4-X 4 [102] No-Hub Left Hand Inlet with Flow to Right

PREFIXES

___ ZEQ D.C.C.I. Elongated Fitting System with NPT Face Plate, Non-Adjustable Coupling*

SUFFIXES

- ___-A Auxiliary Support Assembly (For P-Dim. greater than 18 [457])
- ___-BC Back Cleanout
- ___-G Galvanized Cast Iron
- ___-M Auxiliary Foot Support (For P-Dim. 10 [254] - 18 [457])
- ___-VP Vandal-Proof Trim
- ___-X1 2 [51] Integral Foot Extension
- ___-X3 3 [76] Foot Extension Assembly
- ___-X4 4 [102] Foot Extension Assembly
- ___-45 Finishing Frame for Siphon Jet System
- ___-50 Flush Valve Supply Support for W.C.

REV.	DATE: 11/15/07	C.N. NO. 96666
DWG. NO. 83238	PRODUCT NO. ZEQ1203-N4-X	

*REGULARLY FURNISHED UNLESS OTHERWISE SPECIFIED