



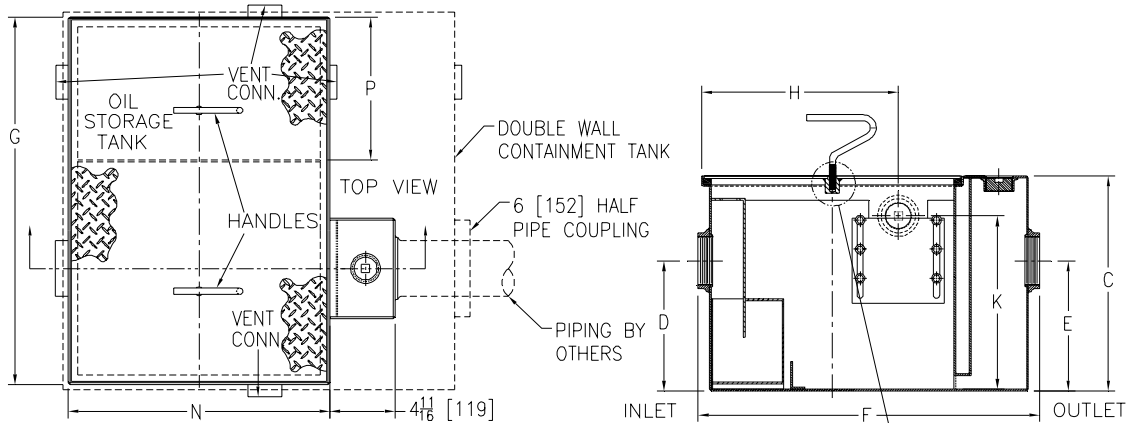
Z1186-ST-83

OIL INTERCEPTOR W/ INTEGRAL STORAGE TANK, HEAVY DUTY COVER AND DOUBLE WALL CONTAINMENT TANK

SPECIFICATION SHEET

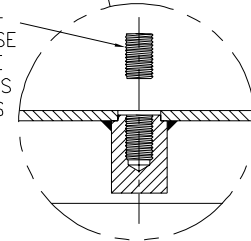
TAG _____

Dimensional Data (inches and [mm]) are Subject to Manufacturing Tolerances and Change Without Notice



SIZE	Inlet/Outlet Size**	Flow Rate G.P.M.	Water Capacity Gal.[L]	Approx. Wt. Lbs.[kg]	P
300	2 [51]	10 [38]	7 [26]	95 [43]	10 1/8 [257]
400	2 [51]	15 [57]	9 [34]	95 [43]	10 1/8 [257]
500	3 [76]	20 [76]	10 [38]	115 [52]	10 5/16 [262]
600	3 [76]	25 [95]	16 [61]	280 [127]	34 3/16 [868]
700	3 [76]	35 [132]	21 [79]	320 [145]	25 11/16 [652]
800	3 [76]	50 [189]	30 [114]	529 [240]	48 1/4 [1225]

HEX HEAD SET SCREW— REMOVE SCREWS TO USE LIFT HANDLES, REPLACE SCREWS ONCE COVER IS IN PLACE AND HANDLES ARE REMOVED.



Dimensions in inches [mm]								Oil Storage Tank Capacity Gal.[L]	No. of Covers
SIZE	C	D/E	F	G	H	K	N		
300	13 7/8 [352]	8 1/8 [206]	23 1/16 [586]	23 9/16 [598]	12 1/16 [306]	11 [279]	16 7/8 [429]	6 [22]	1
400	14 [356]	8 1/4 [210]	23 1/16 [586]	23 9/16 [598]	12 1/16 [306]	11 [279]	16 7/8 [429]	6 [22]	1
500	15 1/2 [394]	9 3/8 [238]	25 1/16 [637]	26 1/2 [673]	14 3/16 [360]	12 1/2 [318]	18 7/8 [479]	8 [30]	1
600	18 1/4 [464]	11 3/4 [298]	35 7/32 [895]	50 7/8 [1292]	19 1/4 [489]	15 1/4 [387]	29 [737]	55 [208]	2
700	19 3/4 [502]	12 7/16 [316]	43 7/16 [1103]	45 [1143]	23 1/4 [591]	16 3/4 [425]	37 [940]	55 [208]	2
800	24 1/4 [616]	14 3/16 [360]	49 7/16 [1256]	70 1/8 [1781]	26 1/4 [667]	21 1/4 [540]	43 [1092]	125 [473]	3

ENGINEERING SPECIFICATION: ZURN Z1186-ST-83

Fabricated 304 or 316 stainless steel oil interceptor, with bronze cleanout plug and visible double wall trap seal, removable combination pressure equalizing/flow diffusing baffle and sediment bucket, oil drawoff, vent connections, secured gasketed non-skid heavy duty cover, complete with flow control fitting and left hand integral storage tank and double wall containment tank. Note: location of outlet from bottom of interceptor cannot be changed.

OPTIONS (Check/specify appropriate options)

PREFIXES

___ **ZS** All type 304 or 316 fabricated stainless steel (must specify).

SUFFIXES

___ **-E** Stainless steel interior and exterior extension section. (Specify 'C' Dimension required) for recessed installation.

___ **-K** Anchor flange 1 3/4 [44] down from top and 2 [51] wide. A 3 [76] minimum extension height is required when anchor flange (-K) option is specified. (Specify 'C' Dimension height required.)

___ **-KC** Anchor flange 1 3/4 [44] down from top and 2 [51] wide with clamp collar.

___ **-STR** Storage tank on right hand side when facing the inlet.

** Inlet and outlet sizes shown indicate standard operating sizes and flow control settings. Size #300 and #400 will have 3 [76] connections reduced to 2 [51] as standard. Size #700 and #800 will have 4 [102] connections reduced to 3 [76] as standard.

REV. DATE: 08/02/06 C.N. NO. 95388
 DWG NO. P-15315 PRODUCT NO. Z1186-ST-83

*REGULARLY FURNISHED UNLESS OTHERWISE SPECIFIED

ZURN INDUSTRIES, INC. ♦ SPECIFICATION DRAINAGE OPERATION ♦ 1801 Pittsburgh Ave. ♦ Erie, PA 16514

Phone: 814/455-0921 ♦ Fax: 814/454-7929 ♦ World Wide Web: www.zurn.com

In Canada: ZURN INDUSTRIES LIMITED ♦ 3544 Nashua Drive ♦ Mississauga, Ontario L4V1L2 ♦ Phone: 905/405-8272 Fax: 905/405-1292