



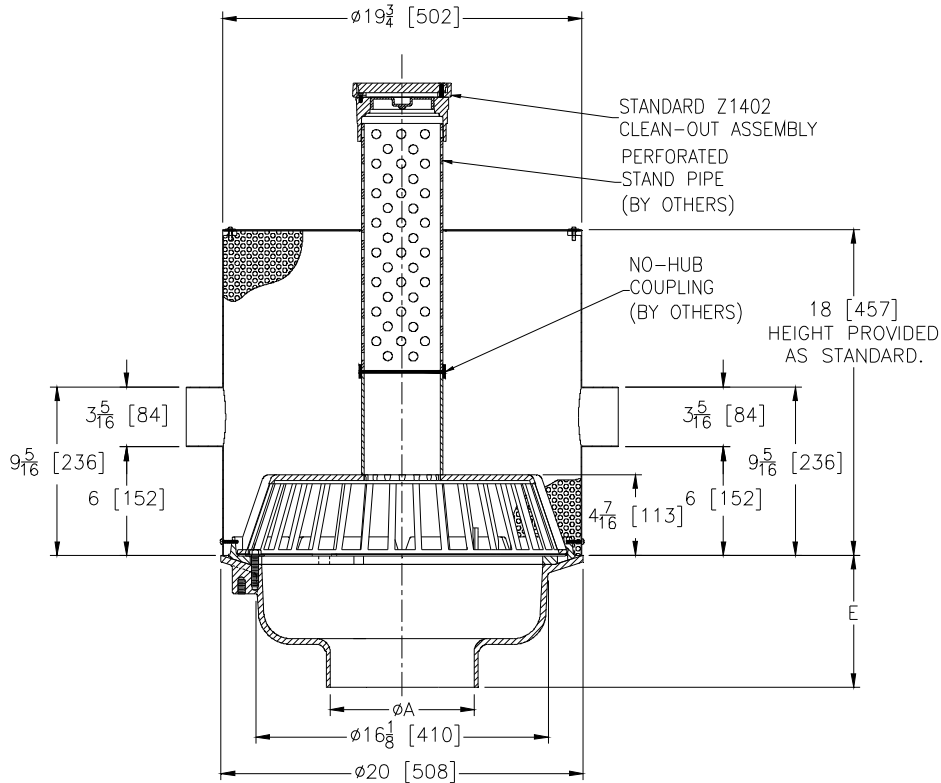
Z101-97

Ø20 [508] MAIN GREEN ROOF DRAIN W/ PERFORATED SCREEN ASS'Y, DUAL 3 [76] AUXILIARY INLETS, 4 [102] NO-HUB STANDPIPE, AND Z1402 UPPER CLEANOUT

SPECIFICATION SHEET

TAG _____

Dimensional Data (inches and [mm]) are Subject to Manufacturing Tolerances and Change Without Notice



A	Approx Wt.	Dome Open Area
Pipe Size	lbs [kg]	in ² [cm ²]
in [mm]		
8 [203]	77 [35]	216 [1394]
10 [254]	78 [35]	
12 [305]	79 [36]	

ENGINEERING SPECIFICATION: ZURNZ101-97

Ø20" [508mm] Green Roof Drain. Dura-Coated cast iron body with combination membrane flashing clamp/gravel guard and low silhouette Cast Iron Dome. Complete with secured type 304 (CF8) stainless steel perforated screen assembly with dual 3" [76mm] auxiliary inlets, 4" [102mm] No-Hub standpipe (By others) and Z1402 cleanout assembly.

PIPE SIZE

8, 10, 12 [203, 254, 305]

(Specify size) **OUTLET**

____ NH No-Hub

'E' BODY HT. DIM.

7-5/16 [185]

PREFIXES

____ Z D.C.C.I. Body with Cast Iron Dome*

SUFFIXES

- ____ -AR Acid Resistant Epoxy Coated
- ____ -C Underdeck Clamp
- ____ -DP Top-Set® Roof Deck Plate (Replaces both the -C and -R)
- ____ -E Static Extension 1 [25] thru 4 [102] (Specify Height)
- ____ -EB Top-Set® Adjustable Extension Assembly
- ____ -R Roof Sump Receiver
- ____ -VP Vandal-Proof Secured Screen Cover
- ____ -W2 2 [51] Internal water Dam
- ____ -W3 3 [76] Internal water Dam
- ____ -W4 4 [102] Internal water Dam

* Regularly furnished unless otherwise specified.