



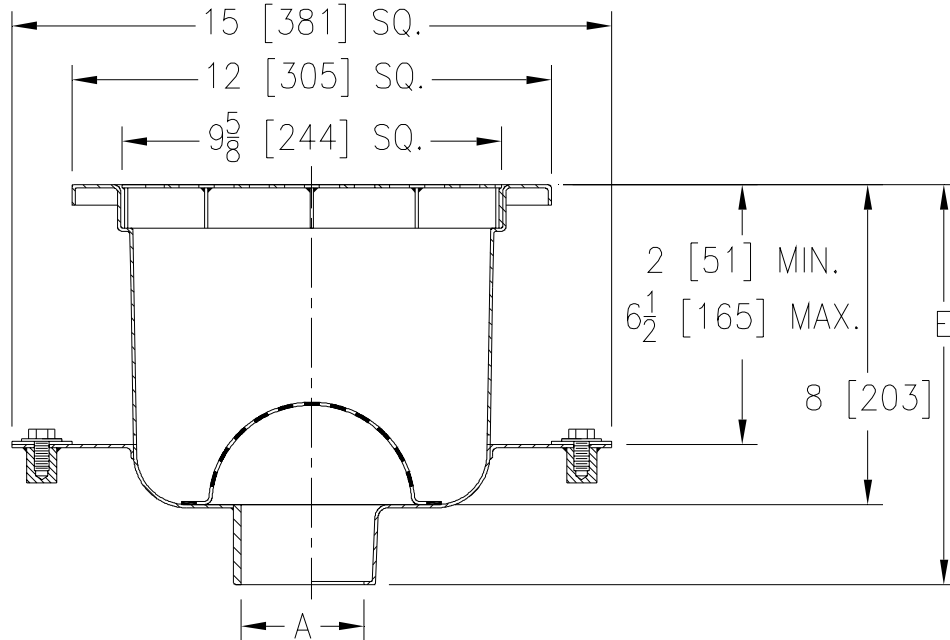
Z1751-146

SPECIFICATION SHEET

12 X 12 [305 X 305] SANI-FLOR RECEPTOR 8 [203] SUMP DEPTH W/ SPECIAL -KC

TAG _____

Dimensional Data (inches and [mm]) are Subject to Manufacturing Tolerances and Change Without Notice



A Pipe Size In.	Approx. Wt. Lbs. [kg]	Grate Open Area Sq. In. [cm ²]
2-3-4 [51-76-102]	19 [9]	23 [148]
6 [152]	21 [9]	23 [148]

ENGINEERING SPECIFICATION: ZURN Z1751-146

12 x 12 x 8 [305 x 305 x 203] deep, 14 gage, All Type 304 (CF8) Stainless Steel light-duty Sani-Flor receptor with non-tilt, loose set full grate with 1/2 [13] square openings and anti-splash interior dome strainer and anchor flange with seepage hole and clamp collar.

OPTIONS (Check/specify appropriate options)

PIPE SIZE

2 thru 4 [51 thru 102]
2 [51]
3 [76]
4 [102]
2 thru 4, 6 [51 thru 102, 152]
2 thru 4 [51 thru 102]

(Specify size/type) OUTLET

___ IC Inside Caulk
___ IP Threaded
___ IP Threaded
___ IP Threaded
___ NH No-Hub
___ NL Neo-Loc

'E' BODY HT. DIM.

10 9/16 [268]
9 5/16 [237]
9 9/16 [243]
10 1/16 [256]
10 1/16 [256]
9 13/16 [249]

PREFIXES

___ Z Type 304 (CF8) Stainless Steel Body*
___ ZM Type 316 (CF8M) Stainless Steel

SUFFIXES

___ -DX Dex-o-tex Flange	___ -4 Full Grate with 3 [76] Square Center Opening
___ -HD Extra-Heavy-Duty Grate	___ -5 Grate w/ 4 [102] Dia. x 3 3/4 [95] High 304 S.S. Funnel
___ -HP Heel-Proof Grate	___ -8 Grate w/ 9 [229] Dia. x 3 1/2 [90] High 304 S.S. Oval Funnel
___ -IP Female Threaded Outlet	___ -15 Solid Cover
___ -SG Solid Gasketed Cover	___ -16 1/2 Solid Cover
___ -TC Neo-Loc Test Cap Gasket (2 - 4 [51 - 102] NL Bottom Outlet Only)	___ -17 3/4 Solid Cover
___ -VP Vandal-Proof Secured Top	___ -18 Solid Cover w/ 3 [76] Square Center Opening
___ -Y Sediment Bucket	___ -19 Full Hinged Grate
___ -YS Suspended Sediment Bucket	___ -20 Full Hinged Solid Cover
___ -1 (Less) Grate	
___ -2 1/2 Grate	
___ -3 3/4 Grate	

*REGULARLY FURNISHED UNLESS OTHERWISE SPECIFIED

REV. DATE: 4/25/06 C.N. NO. 95056

DWG. NO. P-15273 PRODUCT NO. Z1751-146

ZURN INDUSTRIES, INC. ♦ SPECIFICATION DRAINAGE OPERATION ♦ 1801 Pittsburgh Ave. ♦ Erie, PA 16514

Phone: 814/455-0921 ♦ Fax: 814/454-7929 ♦ World Wide Web: www.zurn.com

In Canada: ZURN INDUSTRIES LIMITED ♦ 3544 Nashua Drive ♦ Mississauga, Ontario L4V1L2 ♦ Phone: 905/405-8272 Fax: 905/405-1292