



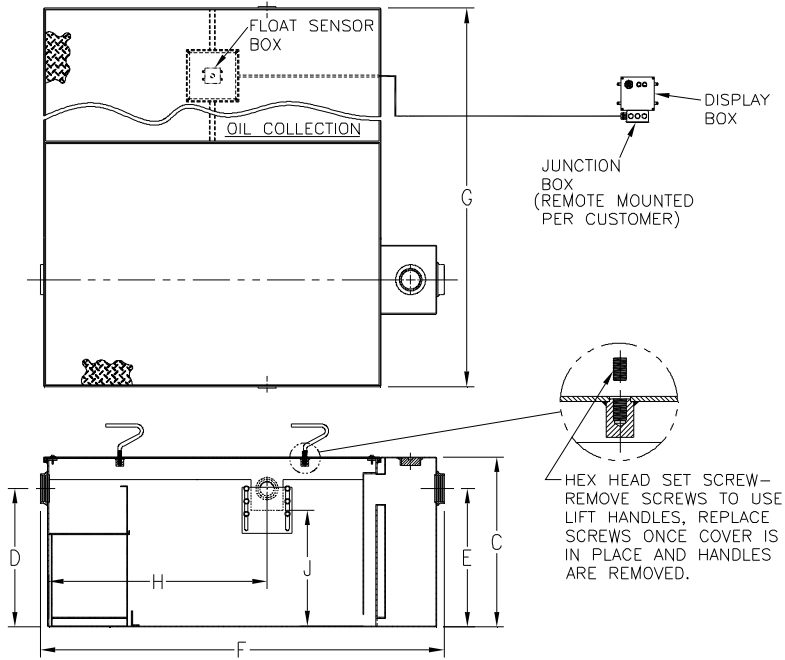
# Z1188-ST-76

## LARGE CAPACITY OIL INTERCEPTOR W/ INTEGRAL STORAGE TANK

SPECIFICATION SHEET

TAG \_\_\_\_\_

Dimensional Data (inches and [ mm ]) are Subject to Manufacturing Tolerances and Change Without Notice



Flow Rate GPM [L] Min.	Oil Storage Tank Cap. Gal. [L]	No. of Covers	
		Trap	Tank
75 [284]	125 [473]	1	1
100 [379]	250 [946]	1	1
125 [473]	250 [946]	2	2
150 [568]	250 [946]	2	2
200 [757]	400 [1514]	2	2
250 [946]	400 [1514]	2	2
300 [1136]	400 [1514]	2	2
350 [1325]	700 [2650]	2	2
400 [1514]	700 [2650]	2	2
450 [1703]	700 [2650]	2	2
500 [1893]	700 [2650]	2	2

Flow Rate GPM [L] Min.	Inlet/ Outlet Size**	Water Capacity Gal. [L]	Approx. Wt. Lbs. [kg]	Dimensions in Inches					
				C	D/E	F	G	H	J
75 [284]	3 [76]	88 [333]	615 [279]	22 3/4 [578]	18 1/2 [470]	51 3/8 [1305]	65 3/8 [1661]	29 1/4 [743]	15 1/2 [394]
100 [379]	3 [76]	159 [602]	800 [363]	27 [686]	23 [584]	60 3/8 [1534]	82 3/8 [2092]	35 1/4 [895]	19 3/4 [502]
125 [473]	3 [76]	208 [787]	1450 [658]	30 1/8 [765]	24 1/2 [622]	64 1/4 [1632]	84 5/8 [2150]	36 [914]	21 [533]
150 [568]	4 [102]	235 [890]	1640 [743]	30 3/4 [781]	25 1/4 [641]	68 1/4 [1734]	82 3/4 [2102]	38 11/16 [983]	21 5/8 [549]
200 [757]	4 [102]	333 [1261]	1950 [885]	35 1/2 [901]	29 7/8 [759]	71 3/8 [1813]	92 3/4 [2356]	43 1/2 [1105]	26 3/8 [670]
250 [946]	5 [127]	445 [1685]	2650 [1202]	41 [1041]	36 [914]	75 1/2 [1918]	95 5/8 [2429]	40 3/4 [1035]	32 1/2 [825]
300 [1136]	5 [127]	664 [2514]	3400 [1542]	46 1/4 [1175]	39 5/8 [1006]	82 3/8 [2092]	92 3/8 [2346]	48 1/16 [2221]	37 3/4 [959]
350 [1325]	6 [152]	1006 [3808]	4000 [1814]	50 1/2 [1283]	43 7/8 [1114]	103 1/8 [2619]	104 3/4 [2661]	61 15/16 [1573]	40 3/8 [1026]
400 [1514]	6 [152]	1266 [4792]	4700 [2132]	54 1/4 [1378]	47 5/8 [1210]	110 1/8 [2797]	102 5/8 [2607]	66 9/16 [1691]	44 1/8 [1121]
450 [1703]	6 [152]	1575 [5962]	5200 [2359]	55 1/4 [1403]	48 5/8 [1235]	123 1/8 [3127]	102 7/8 [2613]	75 1/4 [1911]	44 5/8 [1133]
500 [1893]	6 [152]	1695 [6416]	5500 [2495]	57 1/4 [1454]	51 5/8 [1311]	124 1/8 [3153]	103 5/8 [2632]	73 15/16 [1878]	48 1/8 [1222]

**ENGINEERING SPECIFICATION: ZURN Z1188-ST-76**

Acid Resistant Coated interior and exterior fabricated steel oil interceptor with fiberglass sensor box containing an electronic oil level sensor, fiberglass display box with audio and visual alarms and junction box. Complete with bronze cleanout plug and visible double wall trap seal, removable combination pressure equalizing/flow diffusing baffle and sediment bucket, oil draw-off, vent connections, secured gasketed non-skid cover, flow control fitting and left hand integral storage tank. Regularly furnished with inlet and outlet in high position. Note: location of outlet from bottom of interceptor cannot be changed.

**OPTIONS** (Check/specify appropriate options)

**PREFIXES**

\_\_\_ Z Acid Resistant Coated Fabricated Steel\*

**SUFFIXES**

- \_\_\_ -E Integral Acid Resistant Coated interior and exterior fabricated steel extension section. (Specify 'C' Dim. required) for recessed installation.
- \_\_\_ -HD Heavy-Duty Traffic Cover rated at 10,000 lbs. [4536 kg.] maximum safe live load.
- \_\_\_ -K Anchor flange 1 3/4 [44] down from top and 2 [51] wide. A 3 [76] minimum extension height is required when anchor flange (-K) option is specified. (Specify 'C' Dim. height required.)
- \_\_\_ -KC Anchor flange 1 3/4 [44] down from top and 2 [51] wide with clamp collar.
- \_\_\_ -STR Storage tank on right hand side when facing the inlet.

\*REGULARLY FURNISHED UNLESS OTHERWISE SPECIFIED

<b>REV.</b>	<b>DATE: 08/17/07</b>	<b>C.N. NO. 97163</b>
<b>DWG. NO. P-15462</b>		<b>PRODUCT NO. Z1188-ST-76</b>