

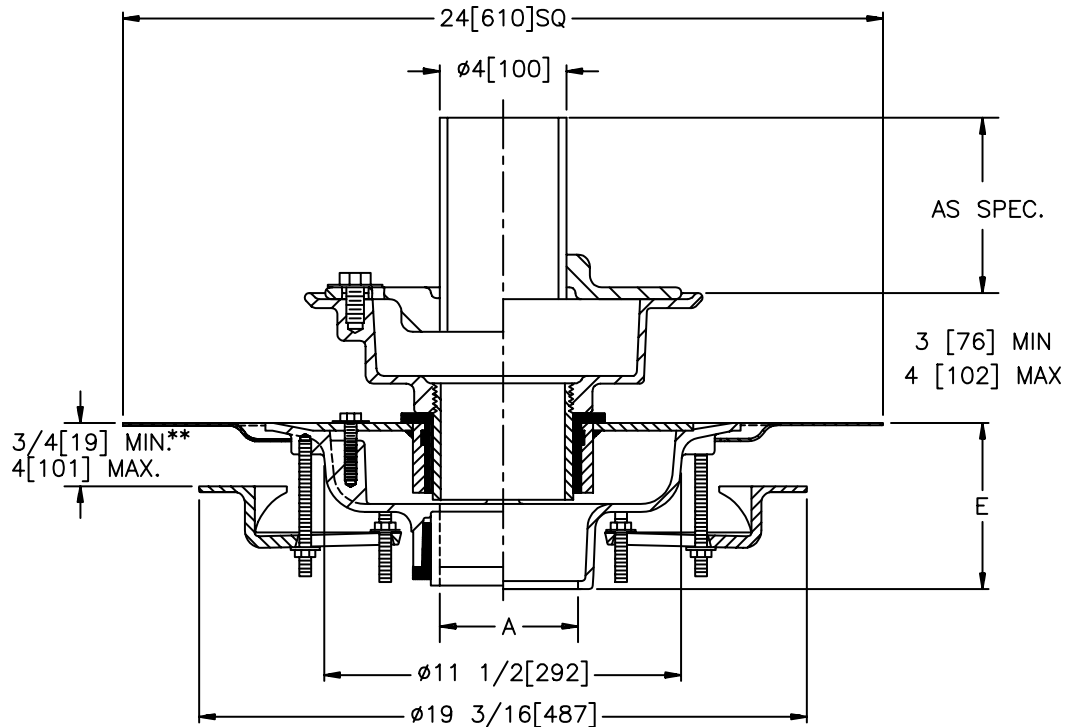


Z-625-76

ISOLATION DECK ADJUSTABLE DRAIN

TAG _____

Dimensional Data (inches and [mm]) are Subject to Manufacturing Tolerances and Change Without Notice



A- Pipe Size In.	Approx. Wt. Lbs. [kg]	Grate Open Area Sq. In. [cm ²]
2-3-4 [50-75-100]	42 [19]	9 [58]
5-6 [125-150]		

ENGINEERING SPECIFICATION: ZURN Z-625-76 Adjustable isolation deck drain, Dura-Coated cast iron upper and lower bodies, upper and lower clamp collars, underdeck clamp (lower body), sump receiver (lower body), neoprene flex gasket, isolation nipple and 4[101] diameter standpipe.

OPTIONS (Check/specify appropriate options)

PIPE SIZE

(Specify size/type) **OUTLET**

'E' BODY HT. DIM.

2 thru 6 [50 thru 150]	_____ IC	Inside Caulk	5 1/4 [133]
2 thru 4, 6 [50 thru 100, 150]	_____ IG	Inside Caulk w/Sealtrol Gskt.	5 1/4 [133]
2 thru 6 [50 thru 150]	_____ IP	Threaded	3 3/4 [95]
2 thru 6 [50 thru 150]	_____ NH	No-Hub	5 1/4 [133]
2 thru 4 [50 thru 100]	_____ NL	Neo-Loc	4 5/8 [117]

PREFIXES

- _____ ZB- D.C.C.I Body w/Polished Bronze Top
- _____ ZN- D.C.C.I Body w/Polished Nickel Bronze Top*

SUFFIXES

- _____ -G Galvanized Cast Iron
- _____ -U 3[76] High Extension Adapter (See Z-400 Series)
- _____ -VP Vandal Proof Secured Top
- _____ -Y Sediment Bucket

REV.	DATE: 6/22/95	C.N. NO. 72190
DWG. NO. P-14193		PRODUCT NO. Z-625-76

*REGULARLY FURNISHED UNLESS OTHERWISE SPECIFIED