

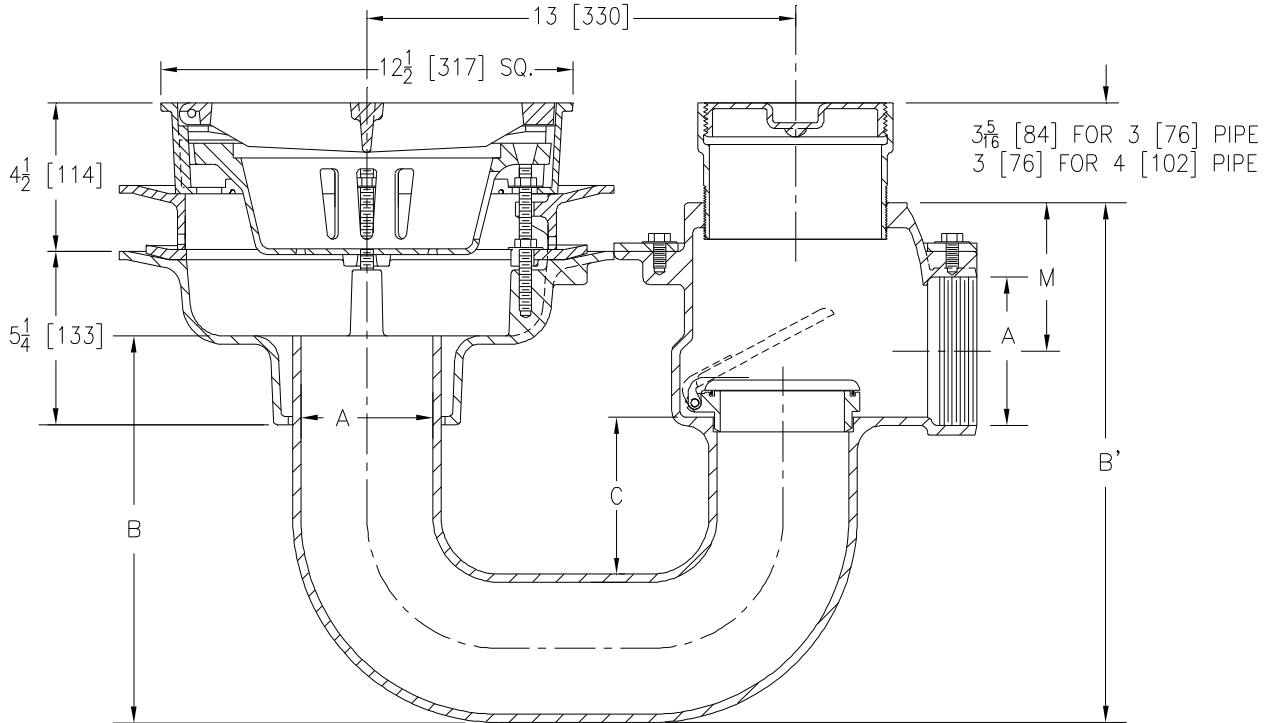


Z761-V
 12-1/2 [317] SQUARE TOP
 HEAVY-DUTY DRAIN W/BACKWATER VALVE

SPECIFICATION SHEET

TAG _____

Dimensional Data (inches and [mm]) are Subject to Manufacturing Tolerances and Change Without Notice



A Pipe Size	Dimensions In Inches [mm]				Approx. Wt. Lbs. [kg]	Grate Open Area Sq. In. [cm ²]
	B	B'	C	M		
3 [76]	12-1/2 [318]	13-1/2 [343]	4-3/4 [121]	4 [102]	140 [64]	43 [277]
4 [102]	9-1/4 [235]	15-3/4 [400]	5 [127]	4-1/2 [114]	145 [66]	

ENGINEERING SPECIFICATION Z761-V

12-1/2" [317mm] Square top drain, Dura-Coated cast iron body with bottom outlet, seepage pan and combination membrane flashing clamp and frame for heavy-duty cast iron hinged slotted grate with suspended sediment bucket, complete with threaded side outlet deep seal trap with seepage pan, bronze flapper type backwater valve, and adjustable cleanout with bronze plug.

OPTIONS (Check/specify appropriate options)

PIPE SIZE _____ (Specify size) **OUTLET**
 3,4 [76,102] _____ IP Threaded

PREFIXES

- ____ Z D.C.C.I. Body and Top*
- ____ ZN D.C.C.I. Body with Polished Nickel Bronze Top (Add 3/16 [5] to 4-1/2 [114] Dim. & 3/4 [19] to 12-1/2 [317] Dim.)

SUFFIXES

- ____ -C Clamp Collar
- ____ -DG Duresist Grate
- ____ -G Galvanized Cast Iron
- ____ -P Trap Primer Connection
- ____ -TS Top Secured with Slotted Screws
- ____ -VP Vandal-Proof Secured Top

* Regularly furnished unless otherwise specified.