



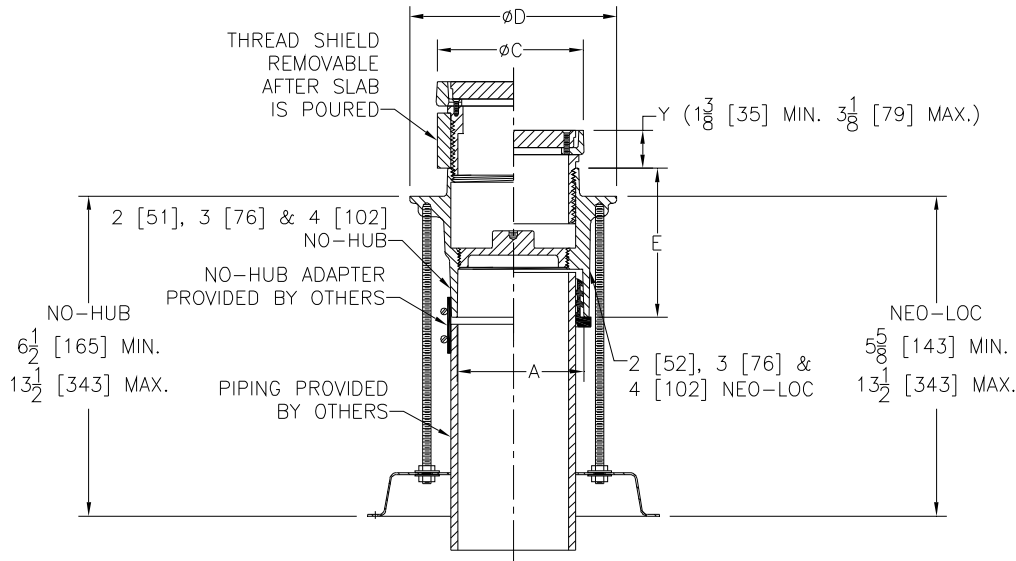
Z1400-K-SA

ADJUSTABLE CLEANOUT W/ ANCHOR FLANGE AND STABILIZER ASSEMBLY

SPECIFICATION SHEET

TAG _____

Dimensional Data (inches and [mm]) are Subject to Manufacturing Tolerances and Change Without Notice



Dimensions In Inches				Approx. Wt. Lbs. [kg]
A Pipe Size	C	D	E	
No-Hub				
2 [51]	4-1/8 [105]	7-1/2 [191]	7-1/2 [191]	15 [7]
3 [76]	4-1/8 [105]	7-1/2 [191]	5-3/8 [137]	14 [6]
4 [102]	5-1/8 [130]	7-1/2 [191]	5-3/8 [137]	16 [7]
Neo-Loc				
2 [51]	4-1/8 [105]	7-1/2 [191]	5-3/8 [137]	16 [7]
3 [76]	5-1/8 [130]	7-1/2 [191]	5-3/8 [137]	17 [8]
4 [102]	5-1/8 [130]	7-1/2 [191]	5-3/8 [137]	18 [8]

ENGINEERING SPECIFICATION: ZURN Z1400-K-SA

"Level-Trol" Adjustable Floor Cleanout, Dura-Coated cast iron body with gas and watertight ABS tapered thread plug and round scoriated secured top (specify finish Z, ZB, ZN, ZS) adjustable to finished floor complete with Z1035 galvanized steel stabilizer plate and hardware.

OPTIONS (Check/specify appropriate options)

PREFIXES

- _____ Z Dura Coated Cast Iron*
- _____ ZB D.C.C.I Body Assembly w/Polished Bronze Top (Deduct 1/2 [13] from 'Y' Dim.)
- _____ ZN D.C.C.I Body Assembly w/Polished Nickel Bronze Top (Deduct 1/2 [13] from 'Y' Dim.)
- _____ ZS D.C.C.I Body Assembly w/ Polished Stainless Steel Top

PIPE SIZE (Specify size)

- _____ 2-3-4 [51-76-102]
- _____ 2-3-4 [51-76-102]

OUTLET (Specify type)

- _____ NH No-Hub
- _____ NL Neo-Loc

'E' BODY HT. DIM.

- See Chart
- See Chart

SUFFIXES

- _____ -AR Acid Resisting Epoxy Coated Finish
- _____ -BP Bronze Plug
- _____ -C Clamp Collar
- _____ -CF Carpet Flange Cover (ZB and ZN Only)
- _____ -CM Carpet Marker
- _____ -DC Duresist Cover
- _____ -DX Round ZB or ZN Top with Dex-O-Tex Flange
- _____ -G Galvanized Cast Iron
- _____ -HD Extra-Heavy-Duty Top (Add 1/8 to 'Y' Dim.) (ZB and ZN Only)
- _____ -SG Solid Gasketed Cover
- _____ -SM Special Maring Stamped on Top
- _____ -T Square Top
- _____ -TX Square Top Recessed for 1/8 [3] Tile (ZB and ZN Only)
- _____ -VP Vandal-Proof Screws
- _____ -X Round Top Recessed for 1/8 [3] Tile (ZB and ZN Only)
- _____ -Z Round Top Recessed for 1-1/4 [32] Terrazzo (ZB and ZN Only)

* Regularly furnished unless otherwise specified.