



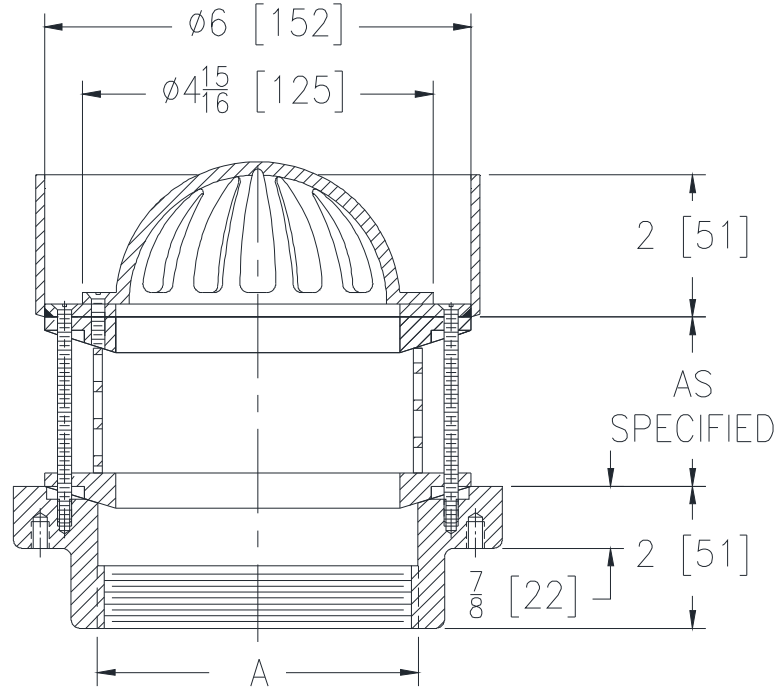
# Z181-96

Ø6 [152] CORNICE DRAIN BOTTOM OUTLET W/ S.S. PERFORATED EXTENSION, 2 [51] WATER DAM, & SECONDARY CLAMPING COLLAR

SPECIFICATION SHEET

TAG \_\_\_\_\_

Dimensional Data (inches and [ mm ]) are Subject to Manufacturing Tolerances and Change Without Notice



'A' Pipe Size In. [mm]	Approx. Wt. Lbs. [kg]	Dome Open Area Sq. In. [cm <sup>2</sup> ]
3 [76]	7 [3]	12 [72]
4 [102]	8 [4]	

**ENGINEERING SPECIFICATION: ZURN ZRB181-96**  
 6" [152mm] Diameter by 2" [51 mm] High Cornice drain, Dura-Coated cast iron body, stainless steel perforated extension, secured plain bronze dome, membrane flashing clamps and secondary clamping collar with 2" [51mm] brass water dam.

**OPTIONS** (Check/specify appropriate options)

**PIPE SIZE**

3,4 [76,102]  
 3,4 [76,102]

(Specify size/type) **OUTLET**

\_\_\_ IP Threaded  
 \_\_\_ NH No-Hub (IP w/ Z1040)

**PREFIXES**

\_\_\_ ZRB D.C.C.I. Body with Plain Bronze Dome\*  
 \_\_\_ ZB D.C.C.I. Body with Polished Bronze Dome  
 \_\_\_ ZN D.C.C.I. Body with Polished Nickel Bronze Dome

**SUFFIXES**

___ -BS	Bronze Mesh Screen Over Dome	___ -R	Roof Sump Receiver
___ -C	Underdeck Clamp	___ -SS	Stainless Steel Mesh Over Dome
___ -FS	Flat Strainer (ZB or ZN)	___ -VP	Vandal Proof Secured Top
___ -G	Galvanized Cast Iron	___ -8	8 [203] High Body
___ -HD	5-3/4 [146] High Dome		

\* Regularly furnished unless otherwise specified.