



Z1926-LD

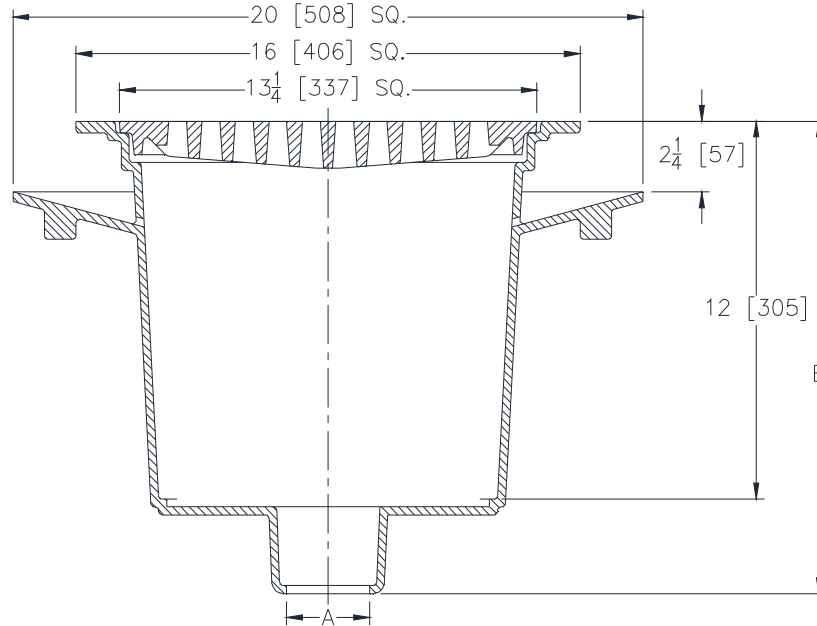
16 X 16 [406 X 406] A.R.C. SANI-FLOR RECEPTOR

12 [305] SUMP DEPTH LESS BOTTOM DOME STRAINER

SPECIFICATION SHEET

TAG _____

Dimensional Data (inches and [mm]) are Subject to Manufacturing Tolerances and Change Without Notice



A- Pipe Size In. [mm]	Approx Wt. Lbs. [kg]	Grate Open Area Sq. In. [cm ²]
2, 3, 4, 5, 6, 8 [52, 76, 102, 127, 152, 203]	149 [68]	54 [348]

ENGINEERING SPECIFICATION: ZURN Z1926-LD

Sani-Flor Receptor 16" x 16" x 12" [406mm x 406mm x 305mm] deep cast iron body with seepage flange and square slotted heavy duty grate, with white acid resisting epoxy coated interior and top, less bottom dome strainer.

OPTIONS (Check/specify appropriate options)

PIPE SIZE

(Specify size/type) **OUTLET**

'E' BODY HT. DIMENSION

3, 4, 6 [76, 102, 152]

2, 3, 4, 5, 6, 8 [51, 76, 102, 127, 152, 203]

2, 3, 4 [52, 76, 102]

___ IC Inside Caulk
___ NH No-Hub
___ NL Neo-Loc

Z	ZN
15 [381]	15-3/16 [386]
15 [381]	15-3/16 [386]
14-1/4 [362]	14-7/16 [367]

PREFIXES

___ Z Cast Iron Body with White A.R.C. Interior*
___ ZN Cast Iron Body with White A.R.C. Interior, 16-3/4 [425] Square Nickel Bronze Frame and Full Grate

SUFFIXES

___ -C Clamping Collar
___ -P 1/2 [13] Trap Primer Connection
___ -TC Neo-Loc Test Cap Gasket (2, 3, 4 [51, 76, 102] NL Bottom Outlet Only)
___ -1 Less Grate
___ -2 1/2 Grate
___ -3 3/4 Grate
___ -4 Full Grate With 2 [51] Square Opening
___ -6 Grate w/6 [152] Diameter x 6 [152] High Funnel
___ -8 Grate w/8-7/8 x 3-5/8 x 3-3/4 [225 x 92 x 95] High Oval Funnel
___ -11 Vandal Proof Secured Grate
___ -15 Solid Loose Set Cover

* Regularly furnished unless otherwise specified.

Zurn Industries, LLC | Specification Drainage Operation
1801 Pittsburgh Avenue, Erie, PA U.S.A. 16502 · Ph. 855-663-9876, Fax 814-454-7929
In Canada | Zurn Industries Limited
3544 Nashua Drive, Mississauga, Ontario L4V 1L2 · Ph. 905-405-8272, Fax 905-405-1292
www.zurn.com

Rev. A
Date: 10/13/2017
C.N. No. 138822
Prod. | Dwg. No. Z1926-LD