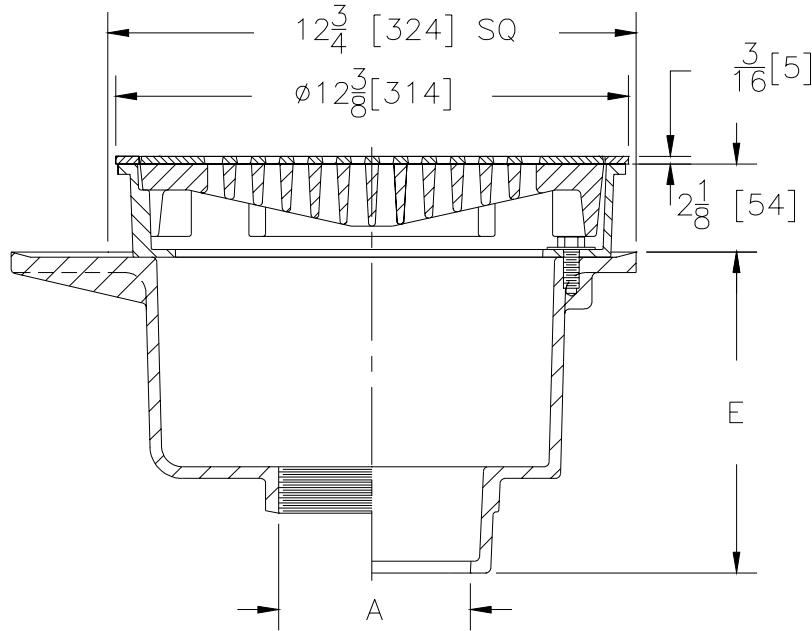




ZN-512-75
12" [305] HEAVY DUTY DRAIN
WITH TRACTOR GRATE

TAG _____

Dimensional Data (inches and [mm]) are Subject to Manufacturing Tolerances and Change Without Notice



A- Pipe Size In.	Approx. Wt. Lbs. [kg]	Grate Open Area Sq. In. [cm ²]
3-4 [75-100]	44 [20]	30 [194]

ENGINEERING SPECIFICATION: ZURN ZN-512 12 [305] Diameter top heavy duty drain, Dura-Coated cast iron deep sump body with bottom outlet, seepage pan and combination flashing clamp and frame for heavy duty tractor grate and nickel bronze frame and heel proof grate.

OPTIONS (Check/specify appropriate options)

PIPE SIZE

- 3, 4 [75, 100]
- 3, 4 [75, 100]
- 3 [75]
- 4 [100]
- 3, 4 [75, 100]

(Specify size/type) **OUTLET**

- _____ IC Inside Caulk
- _____ IG Inside Caulk w/Sealtrol Gskt.
- _____ IP Threaded
- _____ IP Threaded
- _____ NL Neo-Loc

'E' BODY HT. DIM.

- 7 3/4 [197]
- 7 3/4 [197]
- 6 [152]
- 6 1/4 [159]
- 7 1/4 [184]

PREFIXES

- _____ Z- D.C.C.I. Body and Grate*
- _____ ZB- D.C.C.I. Body with Polished Bronze Grate (Add 3/16 [5] to 2 1/8 [54] Dim.)

SUFFIXES

- _____ -DG Duresist Grate
- _____ -G Galvanized Cast Iron
- _____ -PH Grate with 3/8 [10] Diameter Opening (Z only)
- _____ -S Secondary Strainer
- _____ -T Square Top
- _____ -V Backwater Valve (See Z-1099)
- _____ -VP Vandal Proof Secured Top
- _____ -Y Sediment Bucket
- _____ -90 90° Threaded Side Outlet Body

REV.	DATE: 08/09/95	C.N. NO. 72614
DWG. NO. P-14220 PRODUCT NO. ZN-512-75		

*REGULARLY FURNISHED UNLESS OTHERWISE SPECIFIED